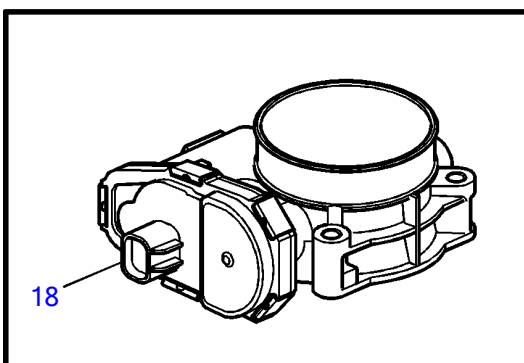
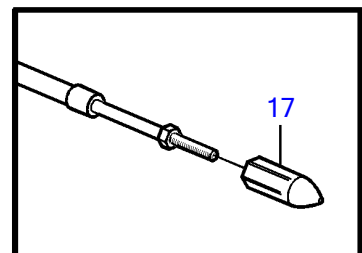
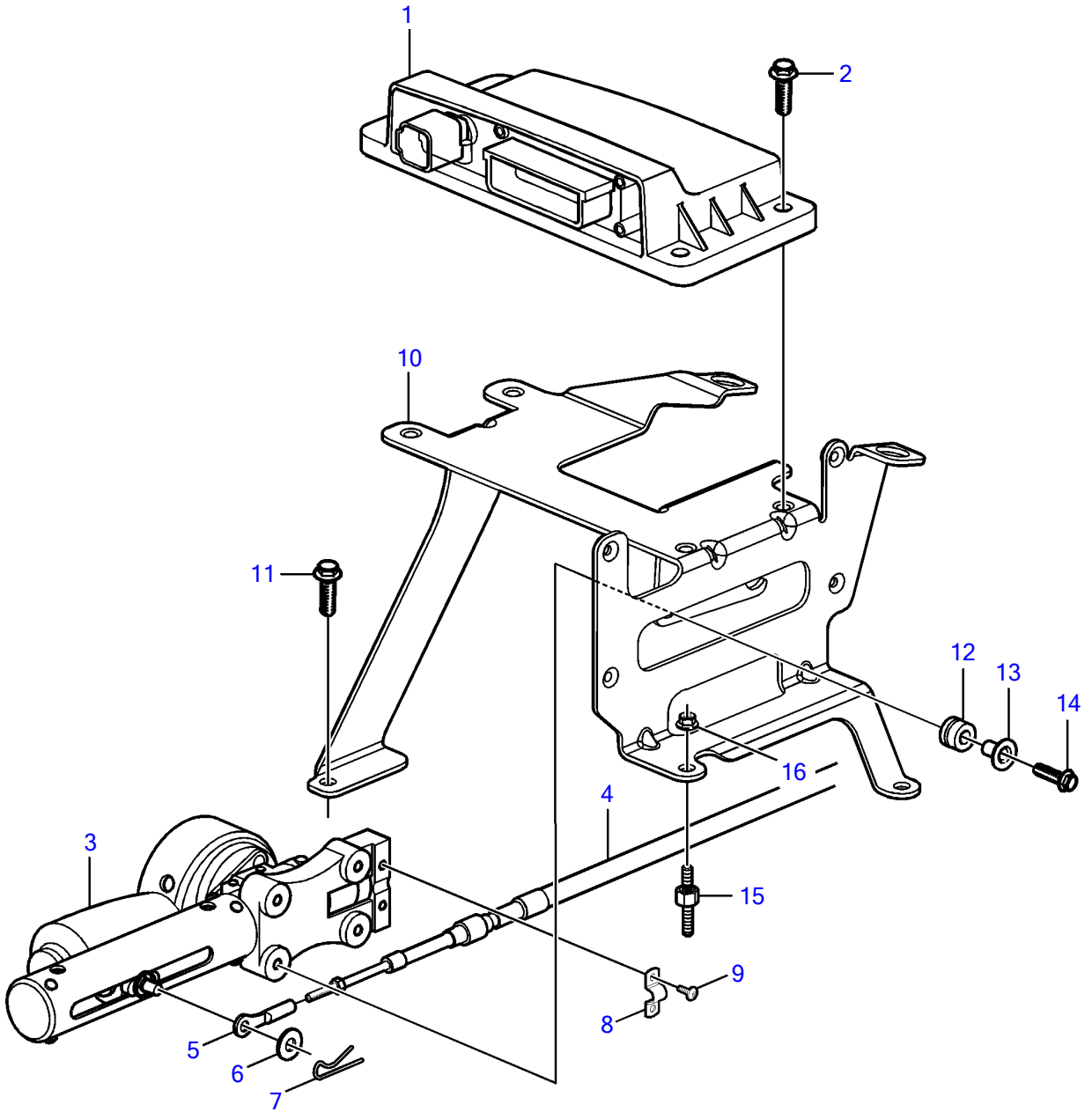


5.7GiCE-300-P, 5.7GXICE-P



25403

5.7GiCE-300-P, 5.7GXICE-P

REF	PART NO.	QTY	DESCRIPTION	NOTES
1	21469059	1	Control unit	
	3586267	1	Software	Warehouse programming. This p/n can not be ordered, but will be used for invoicing.
	3586266	1	Software	Vodia-programming. This p/n can not be ordered, but will be used for invoicing.
2	3595494	4	Screw	
3	3848712	1	Shift motor	Shift
4	3594991	1	Cable	
5	3850941	1	Adapter	
6	940191	1	Washer	
7	17253	1	Split pin	
8	21144647	1	Bracket	
9	973155	2	6 point socket screw	
10	21333459	1	Bracket	
11	946544	2	Flange screw	
12	3594888	4	Vibration damper	
13	3594890	4	Sleeve	
14	3843651	4	Flange screw	
15	3594748	1	Spacer screw	
16	981124	1	Flange nut	
17	40005050	1	Guide	
18		1	Throttle control	See "Throttle Body" page