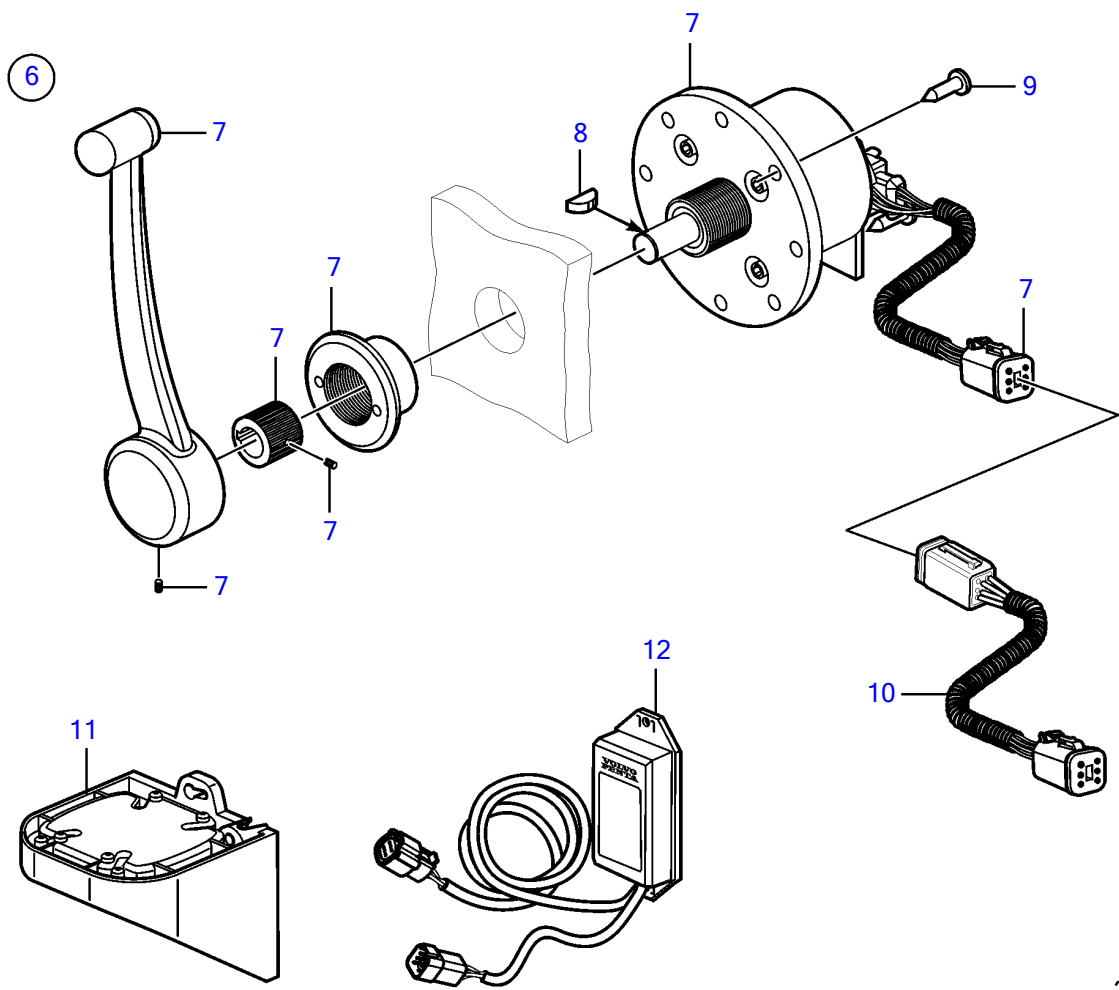
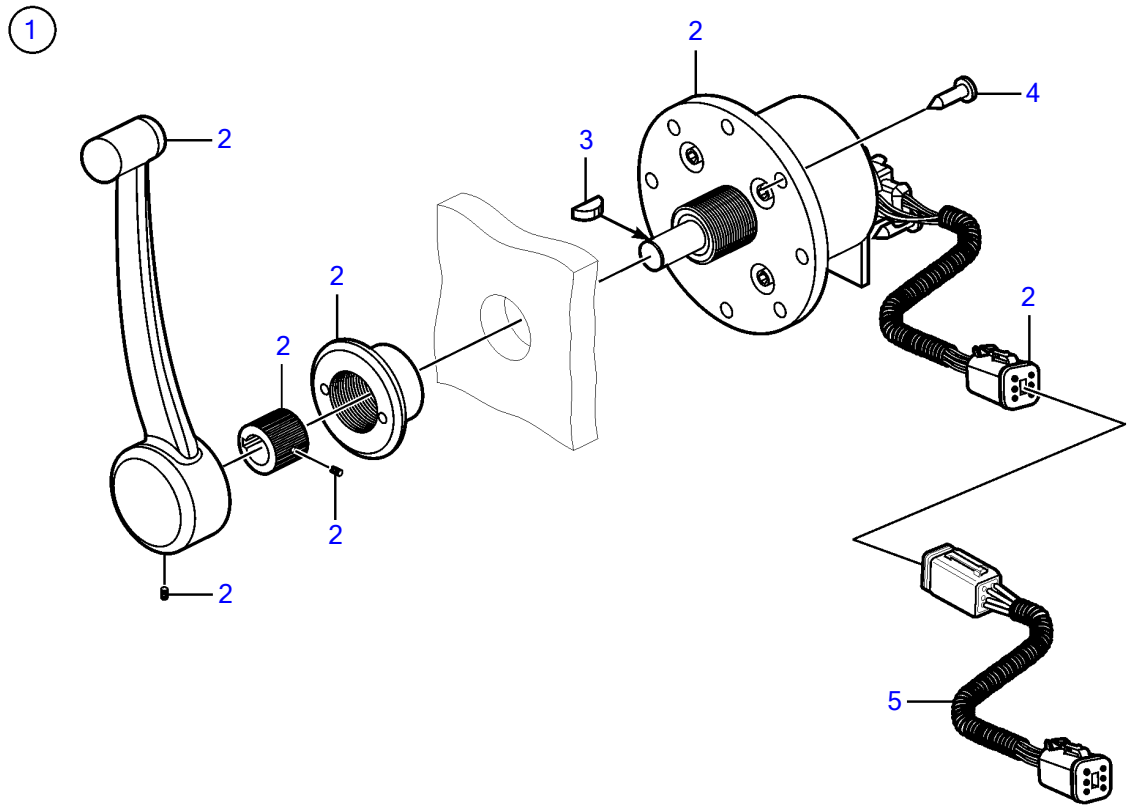


5.7GiCE-300-P, 5.7GXICE-P



26045

## 5.7GiCE-300-P, 5.7GXICE-P

| REF | PART NO. | QTY | DESCRIPTION              | NOTES                               |
|-----|----------|-----|--------------------------|-------------------------------------|
| 1   | 21377436 | 1   | Control, single          |                                     |
| 2   |          | 1   | • Control                | Component parts not sold separately |
| 3   |          | 1   | • Key                    | part not sold                       |
| 4   |          | 8   | • Screw, stainless steel | ¼" x 1", part not sold              |
| 5   |          | 1   | • Cable                  | part not sold                       |
| 6   | 3888616  | 1   | Control, twin            |                                     |
| 7   |          | 2   | • Control                | Component parts not sold separately |
| 8   |          | 2   | • Key                    | part not sold                       |
| 9   |          | 16  | • Screw, stainless steel | ¼" x 1", part not sold              |
| 10  |          | 2   | • Cable                  | part not sold                       |
| 11  | 21520222 | 1   | Control unit, HCU        | to use earlier controls with EVC-D  |
| 12  | 21460908 | 1   | Converter                | Analog lever interface              |