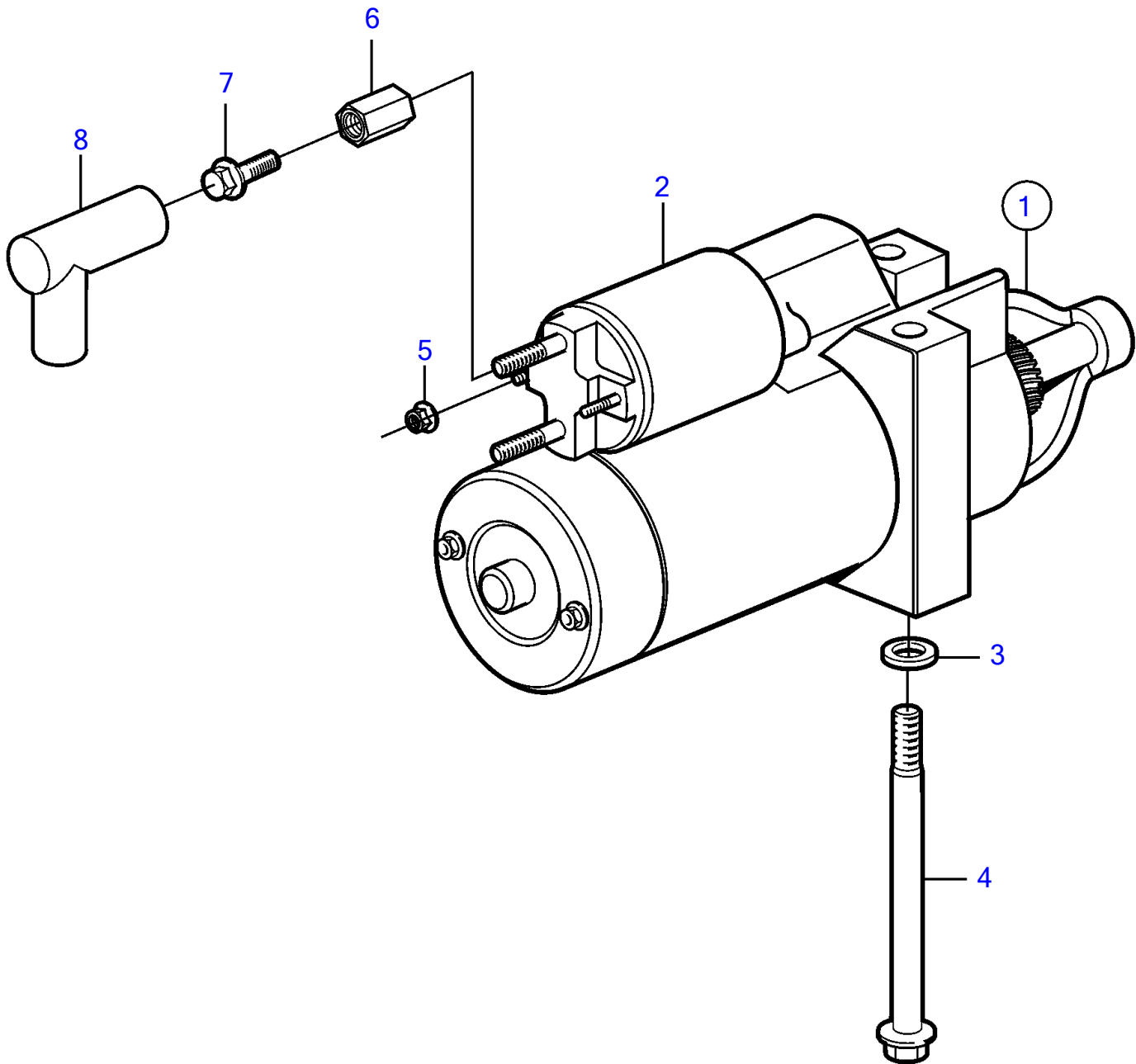


5.7GiC-300-P, 5.7GXIC-P



20931

5.7GiC-300-P, 5.7GXIC-P

REF	PART NO.	QTY	DESCRIPTION
1	3885317	1	Starter motor
2	3810300	1	• Solenoid kit
3	3854496	2	Washer
4	3854752	2	Screw
5	949874	2	Flange lock nut
6	855314	1	Spacer nut
7	947107	1	Flange screw
		1	Flange screw
8	855798	1	Protecting sleeve