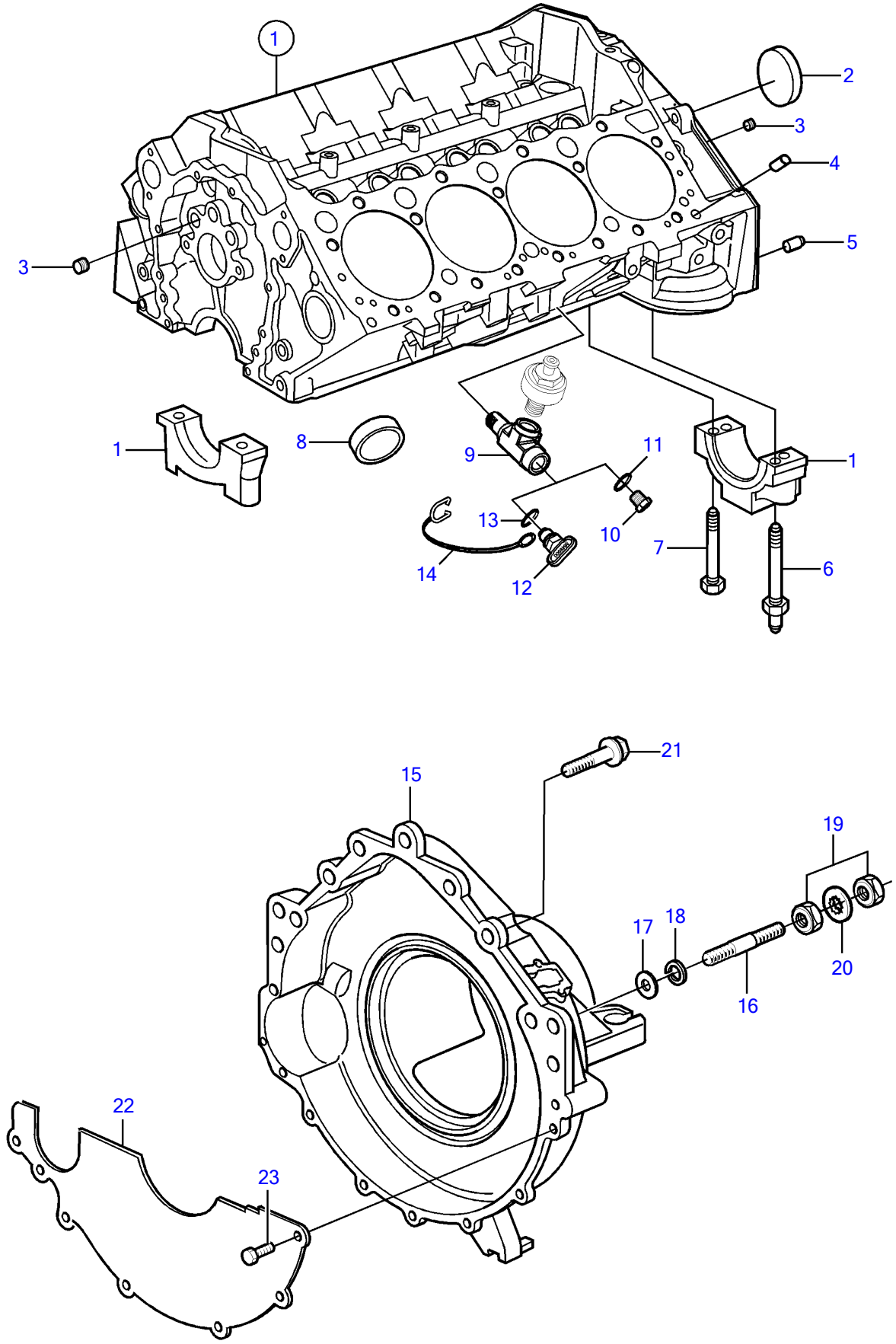


5.7GiC-300-J, 5.7GiC-300-JF, 5.7GXiC-J, 5.7GXiC-JF



5.7GiC-300-J, 5.7GiC-300-JF, 5.7GXiC-J, 5.7GXiC-JF

| REF | PART NO. | QTY | DESCRIPTION | NOTES |
|-----|-----------|-----|-------------------------------|---|
| 1 | | 1 | Cylinder block | See "Longblock" section |
| 2 | 3853209 | 1 | • Core plug | |
| 3 | 952075 | X | • Plug | |
| 4 | 3853114 | 4 | • Locating pin, cylinder head | |
| 5 | 3856001 | 2 | • Pin, flywheel housing | |
| 6 | 3862354 | 6 | • Stud | |
| 7 | 3862355 | 10 | • Bolt | |
| 8 | 3852100 | 8 | Core plug | |
| 9 | 3593571 | 1 | Fitting | Port |
| | 3593571 | 1 | Fitting | Starboard |
| 10 | 40005082 | 2 | Plug | |
| 11 | 976970 | 2 | • O-ring | |
| 12 | 21114522 | 2 | Drain plug | |
| | 3849500 | 2 | • Plug | Replaced by 21114522, Not sold separately |
| 13 | 976970 | 2 | • O-ring | |
| 14 | 3849892 | 2 | • Retainer | |
| 15 | 3808573 | 1 | Flywheel housing | |
| 16 | 3850571 | 2 | Stud | |
| 17 | 980933 | 2 | Washer | |
| 18 | 3852002 | 2 | Spring washer | |
| 19 | (3852065) | 4 | Nut | Obsolete part |
| 20 | (3852070) | 4 | Washer | Obsolete part |
| 21 | 3853392 | 2 | Flange screw | L=2.50" (64mm) |
| | 3860582 | 3 | Flange screw | L=1.25" (32mm) |
| 22 | 3854604 | 1 | Cover | |
| 23 | 3852421 | 4 | Screw | |