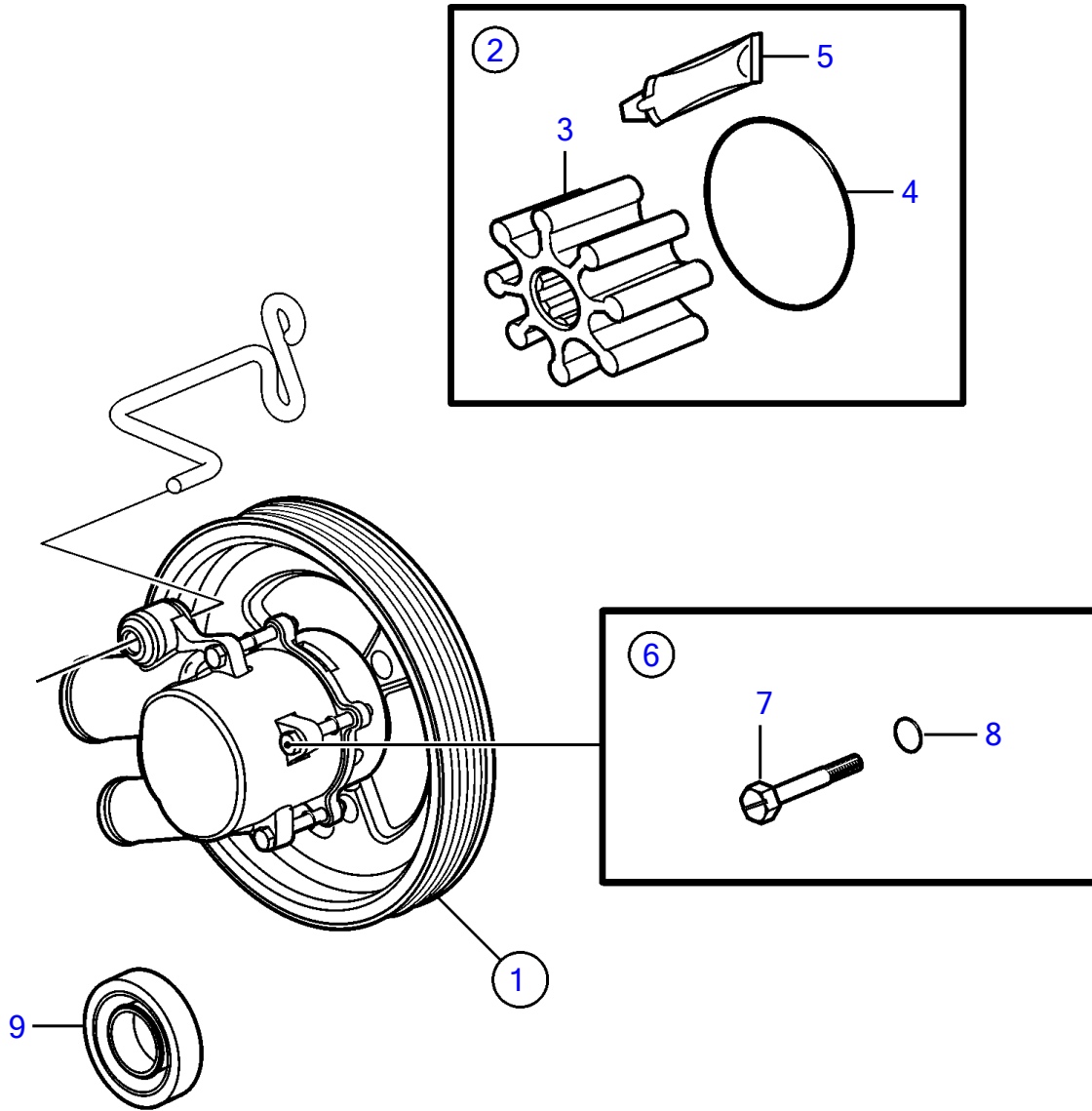


5.7GiC-300-J, 5.7GiC-300-JF, 5.7GXiC-J, 5.7GXiC-JF



5.7GiC-300-J, 5.7GiC-300-JF, 5.7GXiC-J, 5.7GXiC-JF

REF	PART NO.	QTY	DESCRIPTION	NOTES
1	21212799	1	Pump	
2	21213664	1	Impeller kit	replaces 3842786 for gas engines
3	21212794	1	• Impeller	
4	3858938	1	• O-ring	
5		1	• Lubricant, glycerin	Not sold separately
6	21951332	1	Screw kit	
7		4	• Screw	Not sold separately
8		4	• O-ring	Not sold separately
9	827247	1	Sealing ring	