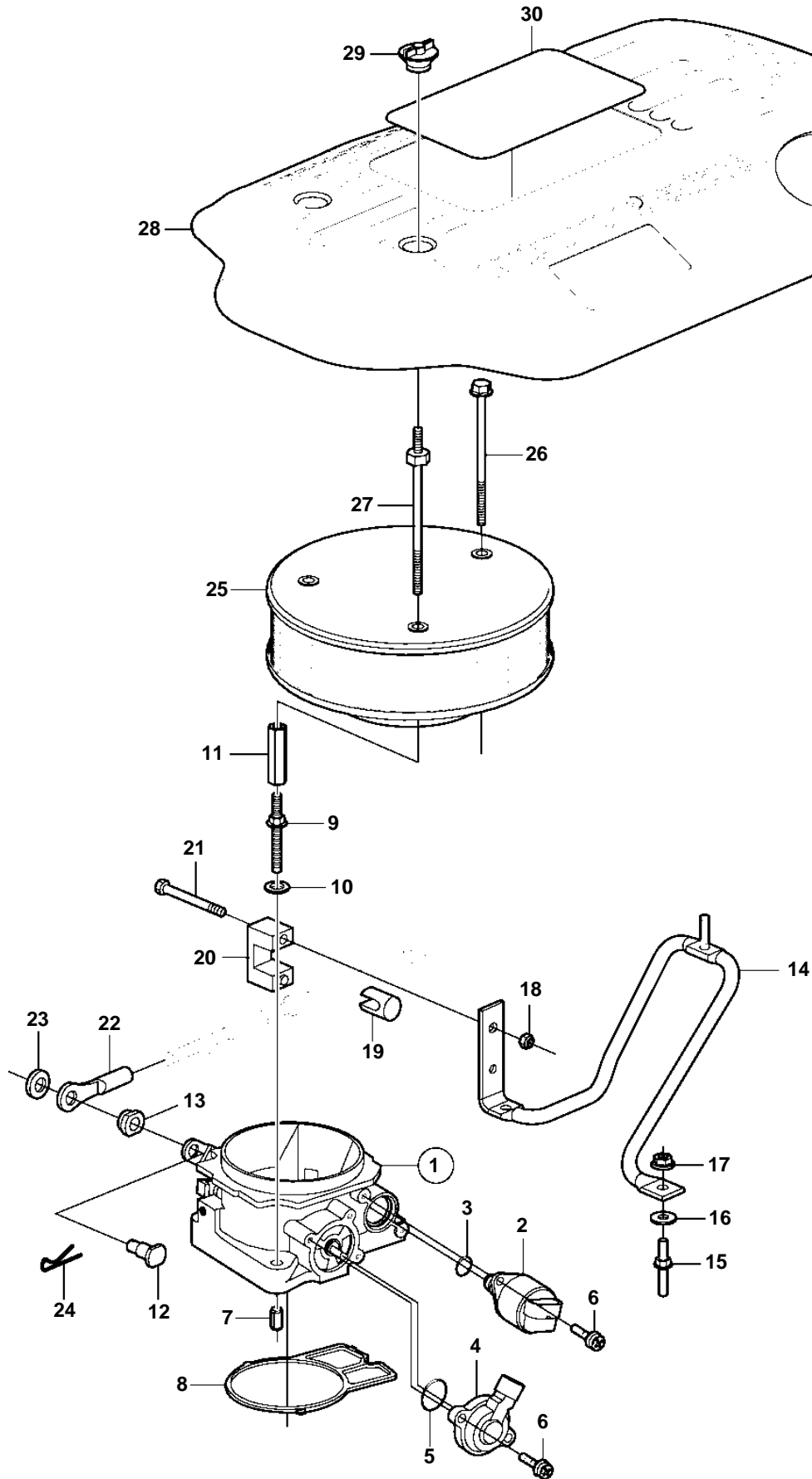


5.70Si-G, 5.70Si-GF



22206

**5.7OSi-G, 5.7OSi-GF**

REF	PART NO.	QTY	DESCRIPTION	NOTES
1	3858963	1	Body	
2	3843751	1	· Sensor	
3	3858054	1	· · O-ring	
4	3857487	1	· Sensor	
5		1	· O-ring	not sold separately
6	3857693	1	· Screw	
7		2	Spacer	Part not sold
8	3858965	1	Gasket	
9	3858964	3	Stud	
10		3	· Washer	not sold separately
11	3862463	3	Nut	
12	3854743	1	Pin	
13	3852004	1	Nut	
14	3819218	1	Bracket	
15	3858973	2	Bolt	
16	3852193	2	Washer	
17	981124	2	Flange nut	
18	3852118	1	Nut	
19	3852019	1	Retainer	
20	3850266	1	Anchor	
21	3852048	1	Screw	
22	3850941	1	Adapter	
23	3852193	1	Washer	
24	3852052	1	Split pin	
25	3861759	1	Flame shield	
26	983643	1	Flange screw	
27	3817816	2	Stud	
28	3818429	1	Cover	
29	3841608	3	Nut	
30	3862064	1	Decal	5.7OSi