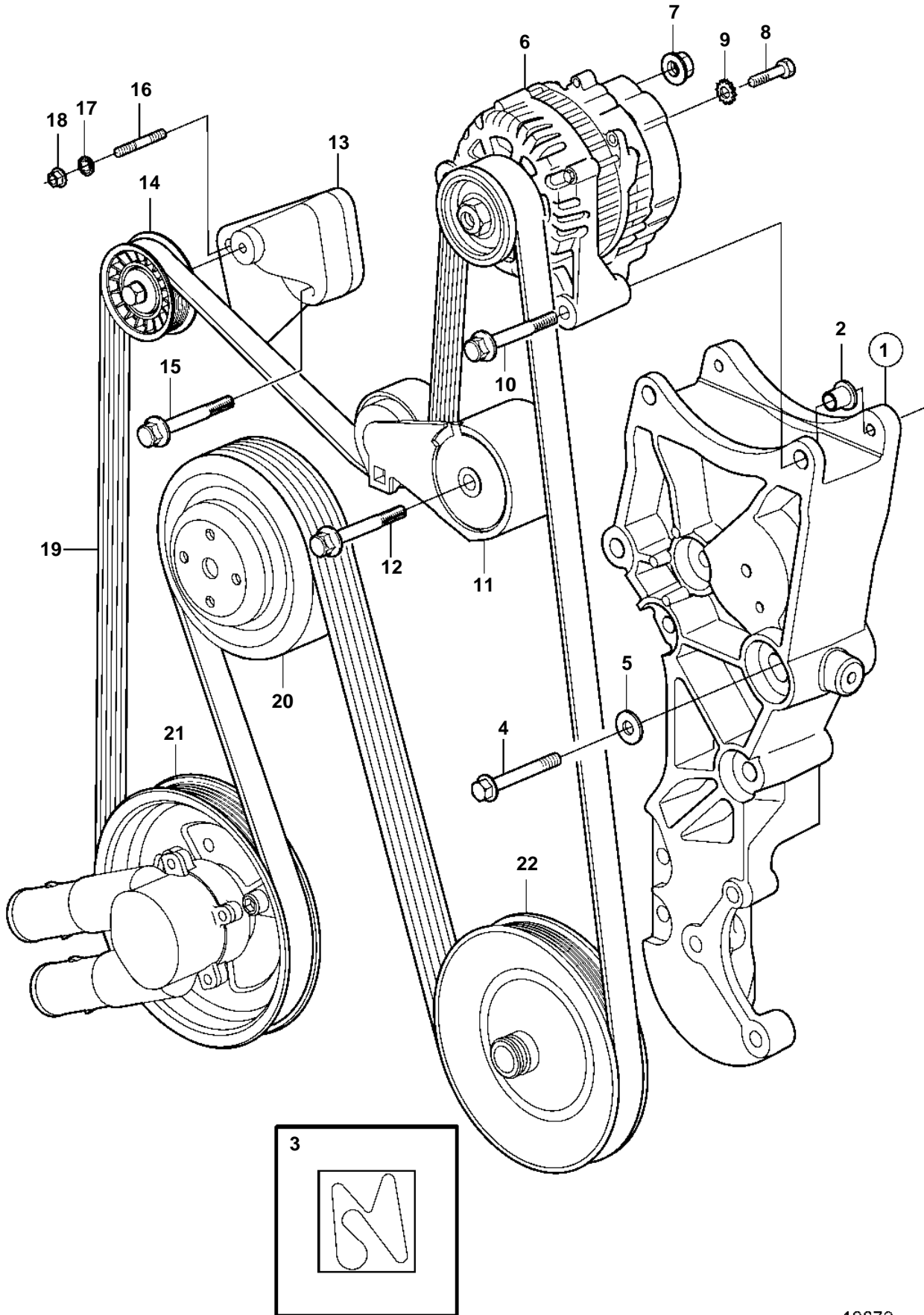


5.7Gi-E, 5.7Gi-EF, 5.7GXi-F, 5.7GXi-FF, 5.7OSi-D, 5.7OSi-DF, 5.7OSXi-D, 5.7OSXi-DF



5.7Gi-E, 5.7Gi-EF, 5.7GXl-F, 5.7GXl-FF, 5.7OSi-D, 5.7OSi-DF, 5.7OSXi-D, 5.7OSXi-DF

REF	PART NO.	QTY	DESCRIPTION	SEE SEC.
1	3860080	1	Bracket	
2	3854579	2	· Bushing	
3	3863274	1	Decal	
4	3853367	4	Screw	
	3853392	1	Screw	
5	980933	2	Washer	
6	3862665	1	Alternator	
7	945408	1	Flange nut	
8	3852208	1	Screw	
9	3852520	1	Washer	
10	3853367	2	Screw	
11	3860079	1	Belt tensioner	
12	3854805	1	Screw	
13	3860078	1	Bracket	
14	3860201	1	Idler pulley	
15	3860499	1	Screw	
16	3860928	2	Stud	
17	3860538	2	Nut, speed	
18	3853404	2	Nut	
19	3586326	1	Belt	
20		1	Pulley, circulation pump	6641
21		1	Sea water pump	6628
22		1	Pulley, power steering pump	6580