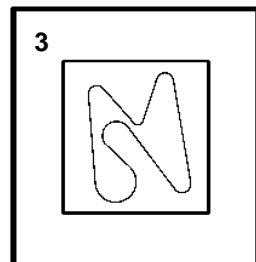
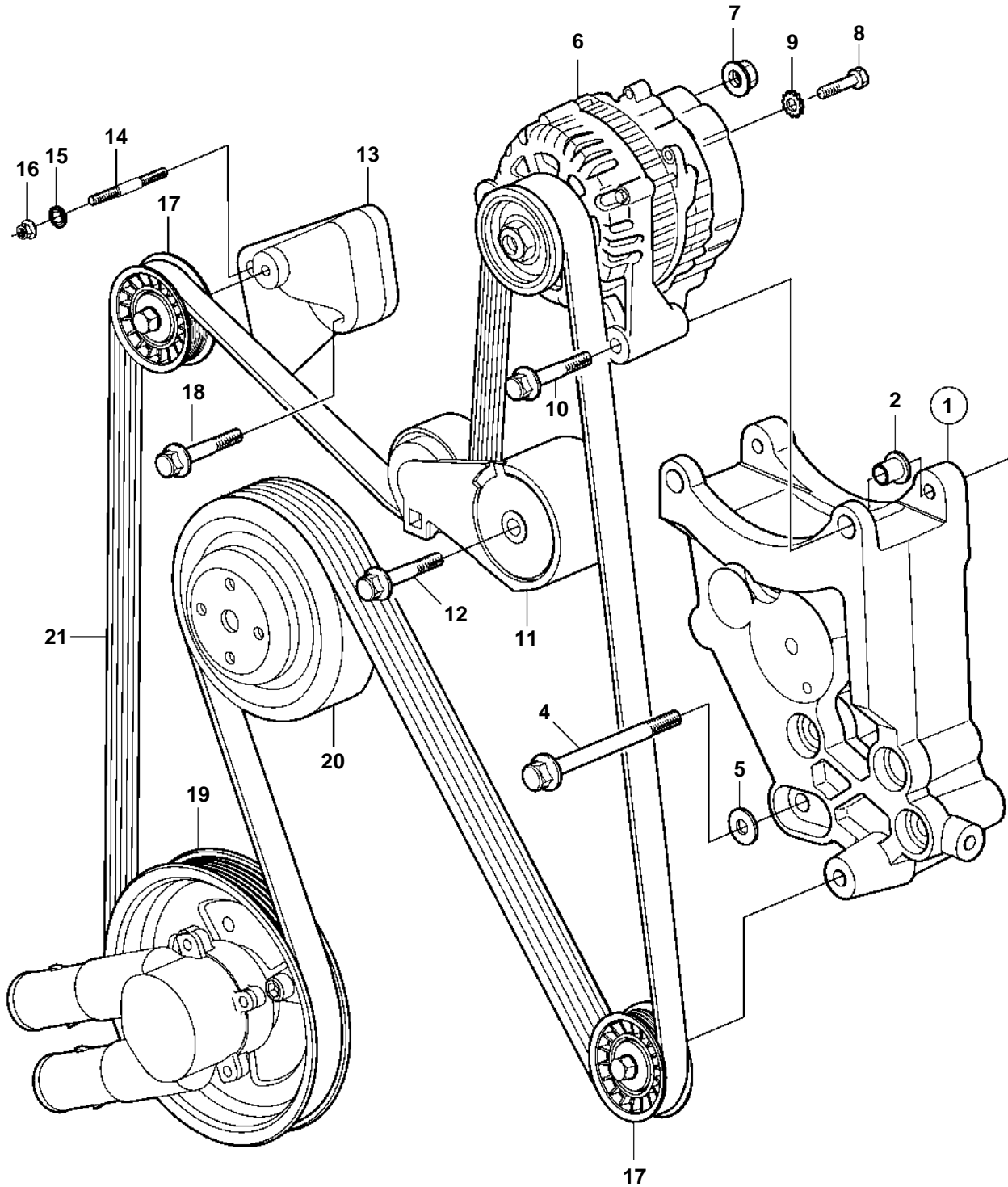


5.7GiI-E, 5.7GXil-F



5.7GiI-E, 5.7GXil-F

REF	PART NO.	QTY	DESCRIPTION	SEE SEC.
1	3863178	1	Bracket	
2	3854579	2	· Bushing	
3	3863274	1	Decal	
4	3853392	3	Screw	
5	980933	2	Washer	
6	3862665	1	Alternator	
7	945408	1	Flange nut	
8	3852208	1	Screw	
9	3852520	1	Washer	
10	965189	2	Flange screw	
11	3860079	1	Belt tensioner	
12	965223	1	Flange screw	
13	3860078	1	Bracket	
14	3860286	2	Stud	
15	3860538	2	Nut, speed	
16	3853404	2	Nut	
17	3860201	2	Idler pulley	
18	3860499	1	Screw	
19		1	Sea water pump	6625
20		1	Pulley, circulation pump	6642
21	3586327	1	Belt	