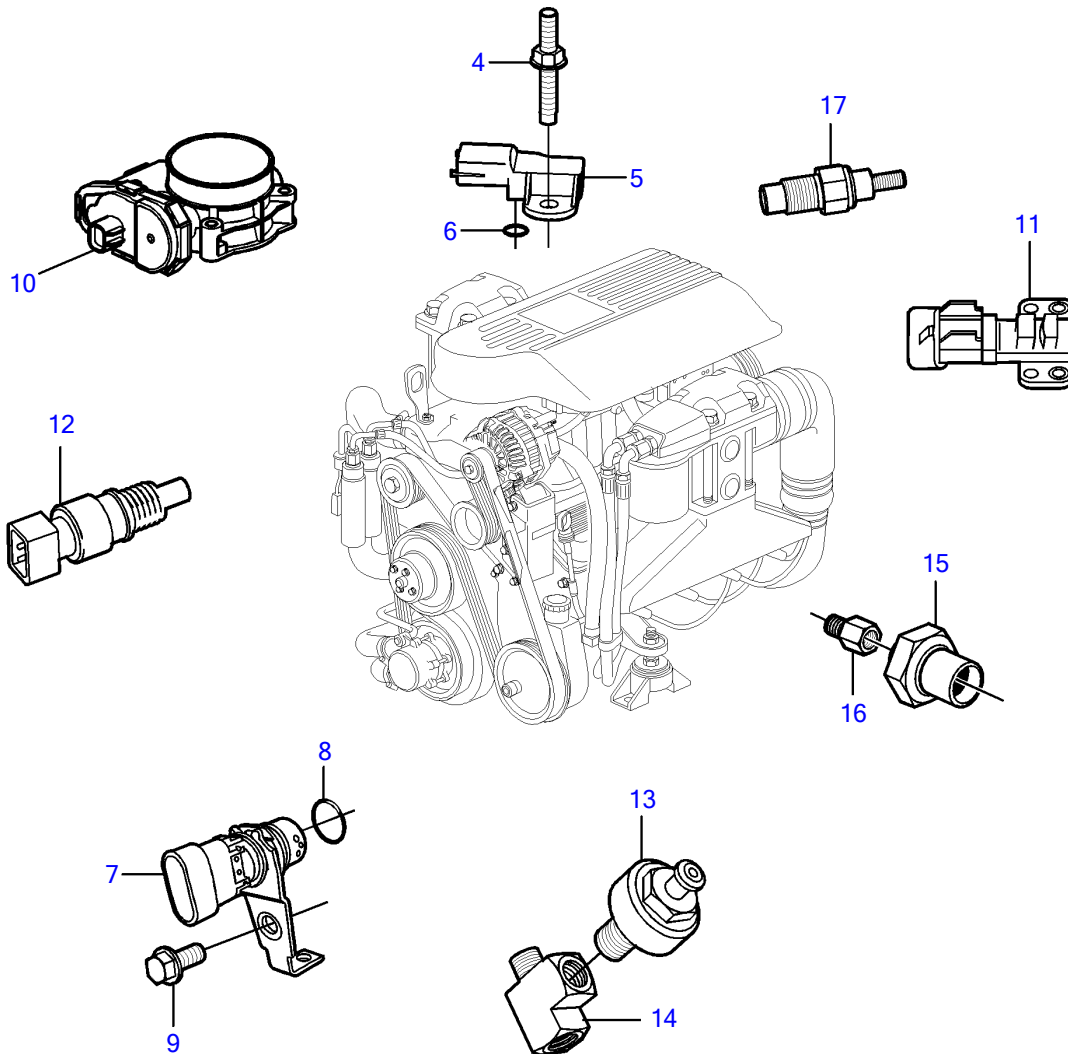
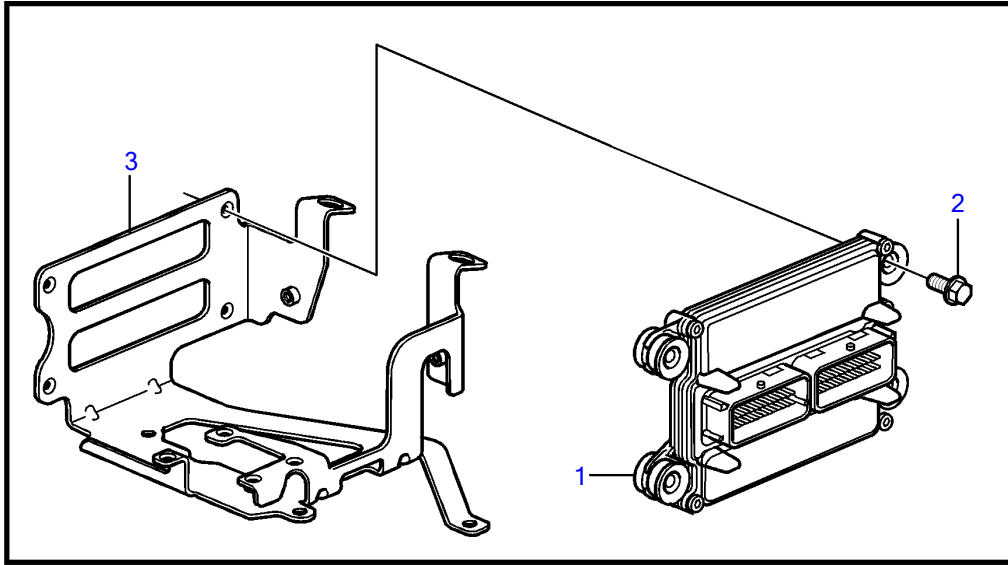


5.7GXi-P



## 5.7GXI-P

| REF | PART NO. | QTY | DESCRIPTION                 | NOTES                        |
|-----|----------|-----|-----------------------------|------------------------------|
| 1   |          | 1   | Module                      | replaced by next part number |
|     | 21652645 | 1   | Module                      |                              |
| 2   | 3843651  | 4   | Flange screw                |                              |
| 3   | 21333459 | 1   | Bracket                     |                              |
| 4   | 3858973  | 1   | Bolt                        |                              |
| 5   | 3859020  | 1   | Sensor, MAT/MAP             |                              |
| 6   | 3858988  | 1   | • Sealing                   |                              |
| 7   | 3858979  | 1   | Sensor, crankshaft position |                              |
| 8   | 3859009  | 1   | • O-ring                    |                              |
| 9   | 3858983  | 1   | Bolt                        |                              |
| 10  |          | 1   | Throttle body               | See "Throttle Body" page     |
|     |          | 2   | • Sensor, throttle position |                              |
|     |          | 1   | • Switch, idle validation   |                              |
| 11  | 3863130  | 1   | Sensor, camshaft position   |                              |
| 12  | 3850397  | 1   | Switch, temperature         |                              |
| 13  | 3850357  | 2   | Knock sensor                |                              |
| 14  | 3849477  | 1   | Adapter                     | Starboard                    |
|     | 3593571  | 1   | Fitting                     | Port                         |
| 15  | 3887328  | 1   | Sensor                      |                              |
| 16  | 3887970  | 1   | Fitting                     |                              |
| 17  | 3862500  | 2   | Temperature sensor          |                              |