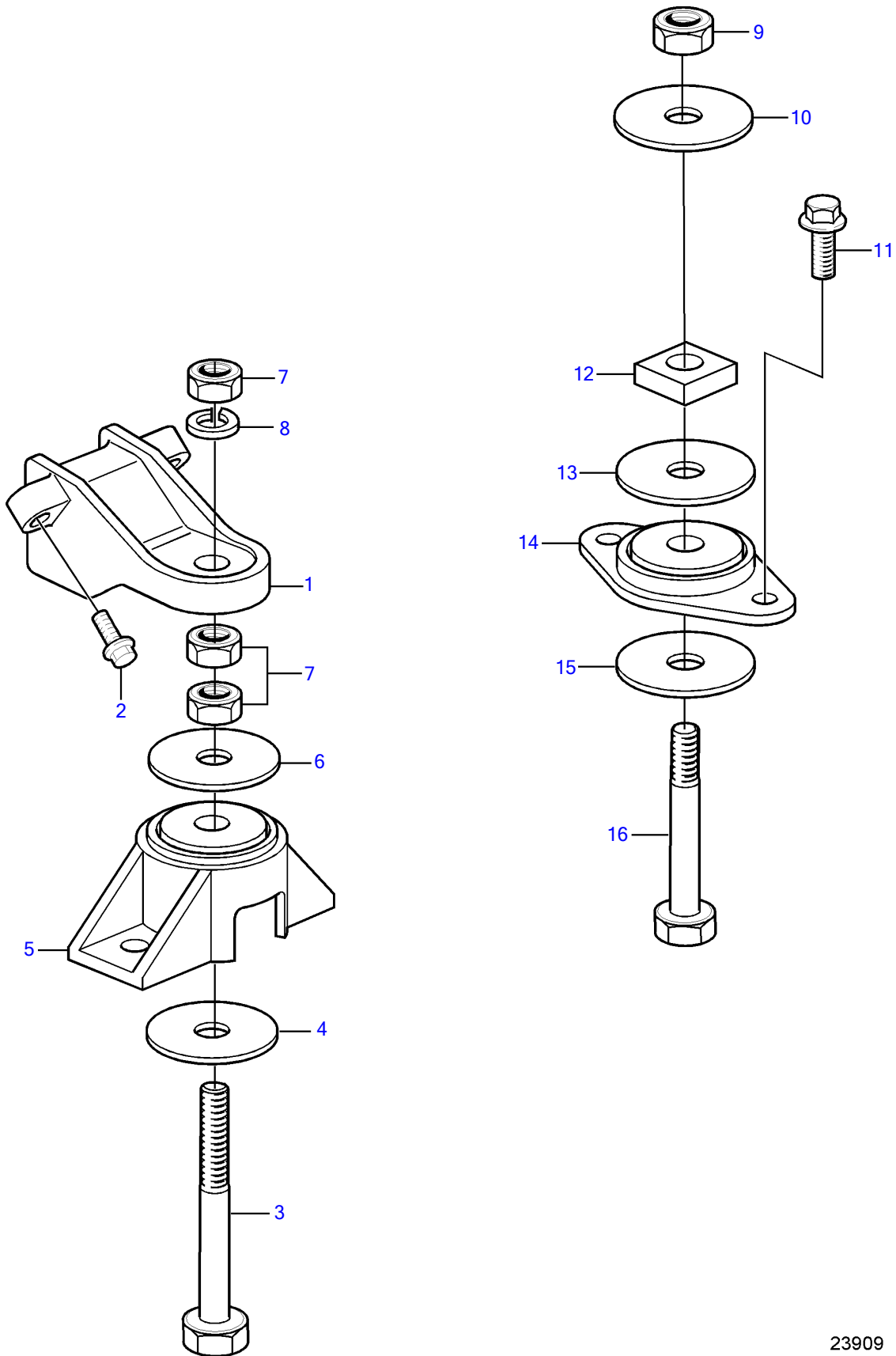


5.7Gi-300-P, 5.7GXl-P



23909

5.7Gi-300-P, 5.7GXi-P

| REF | PART NO. | QTY | DESCRIPTION | NOTES |
|-----|----------|-----|----------------|------------------------------|
| 1 | 3818718 | 2 | Bracket | |
| 2 | 3860582 | 5 | Flange screw | L=1.25" (32mm) |
| | 3853393 | 1 | Flange screw | L=38mm |
| 3 | 3852566 | 2 | Bolt | replaced by next part number |
| | 21740808 | 2 | Hexagon screw | |
| 4 | 3852428 | 2 | Washer | |
| 5 | 3853805 | 2 | Rubber cushion | |
| 6 | 3852433 | 2 | Washer | |
| 7 | 3852021 | 6 | Nut | |
| 8 | 3852090 | 2 | Spring washer | |
| 9 | 3862657 | 2 | Nut | |
| 10 | 3852540 | 2 | Washer | |
| 11 | 3595401 | 4 | Flange screw | |
| 12 | 3852539 | 2 | Square nut | |
| 13 | 3852622 | 2 | Washer | |
| 14 | 3853806 | 2 | Rubber cushion | |
| 15 | 3852542 | 2 | Washer | |
| 16 | 3587962 | 2 | Hexagon screw | |