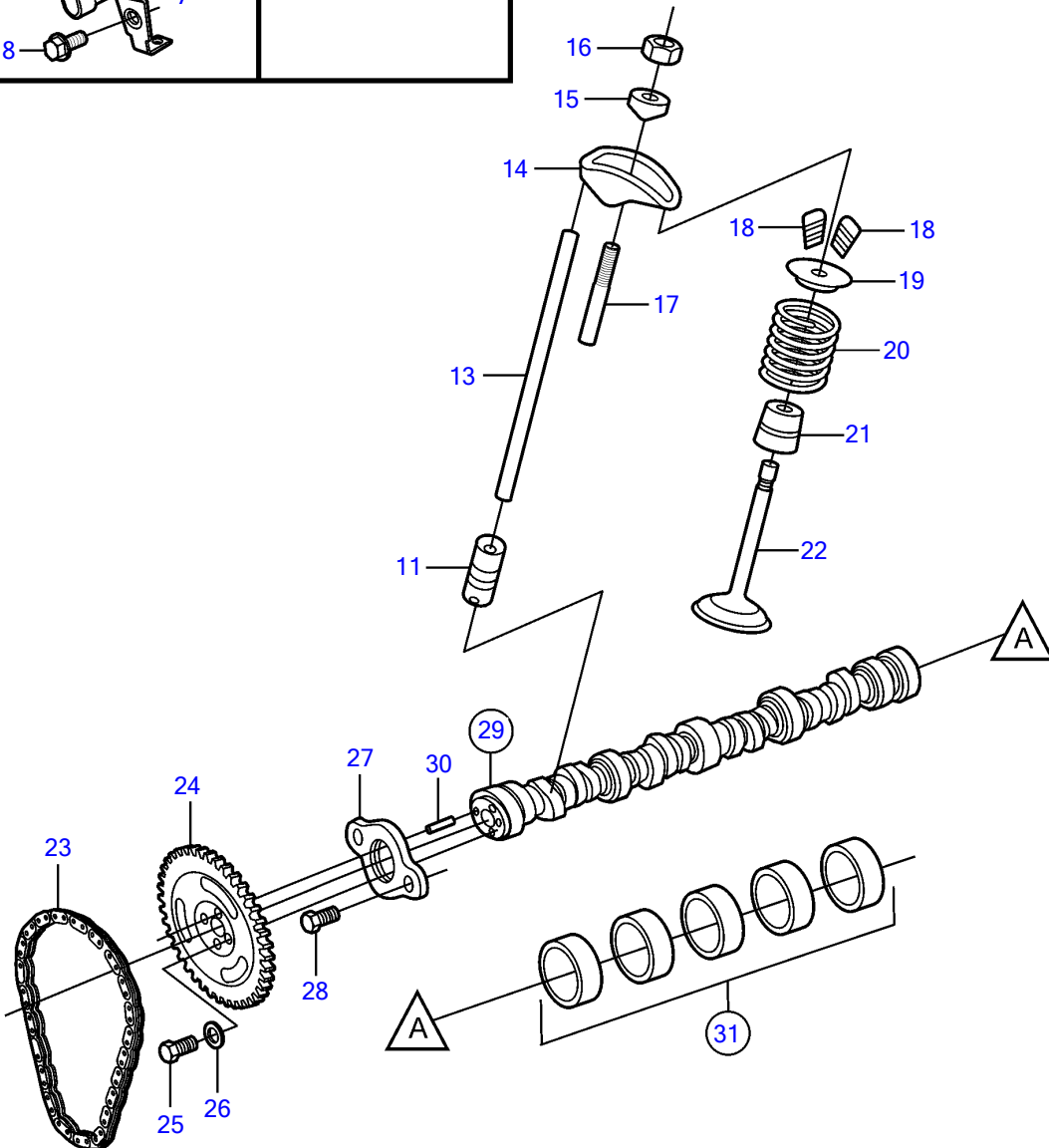
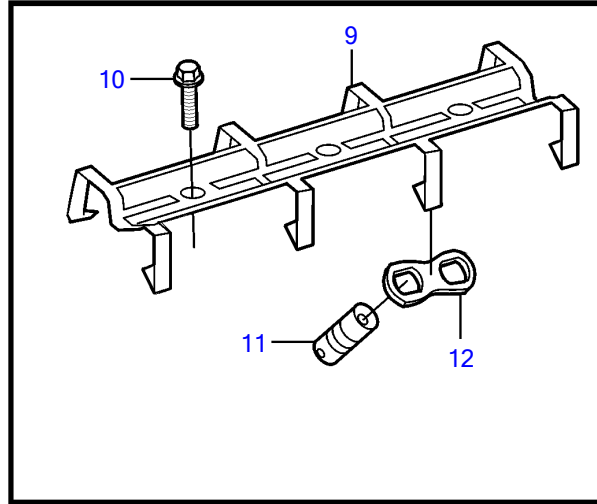
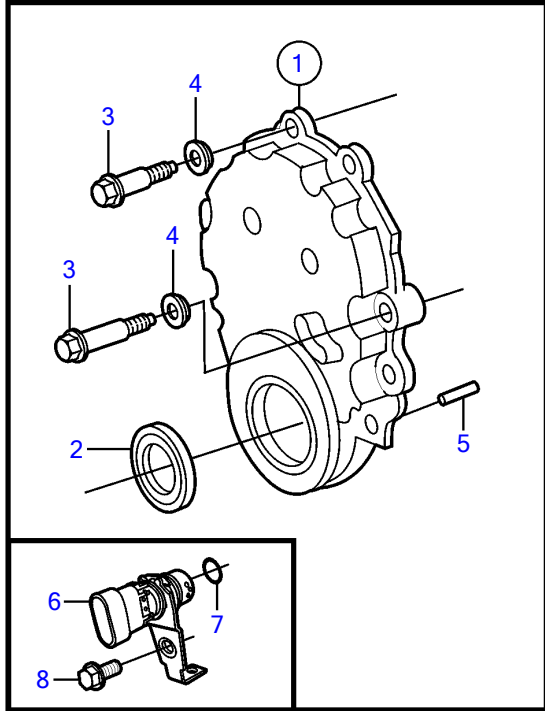


5.7GXi-P



5.7GXi-P

| REF | PART NO. | QTY | DESCRIPTION | NOTES |
|-----|-----------|-----|--------------------|-----------------------------------------|
| 1 | 3862263 | 1 | Timing gear cover | |
| | | 1 | • Gasket | Not sold separately |
| 2 | 3862262 | 1 | • Sealing | |
| 3 | (3855736) | 2 | Screw | Obsolete part |
| | 3855737 | 6 | Screw | |
| 4 | 3855739 | 8 | Grommet | |
| 5 | 3855972 | 2 | Pin | |
| 6 | 3858979 | 1 | Sensor | |
| 7 | 3859009 | 1 | O-ring | |
| 8 | 3858983 | 1 | Bolt | |
| 9 | 3856144 | 1 | Retainer | |
| 10 | | 3 | Screw | part not sold |
| 11 | 3856127 | 16 | Tappet | |
| 12 | 3856139 | 8 | Guide | |
| 13 | 3863058 | 16 | Push rod | |
| 14 | 3861167 | 1 | Rocker arm, roller | Set of 16 |
| 15 | | 16 | • Ball | Not sold separately |
| 16 | | 16 | • Nut | Not sold separately |
| 17 | (3853146) | 1 | Stud | Obsolete part, O.S=0.003" (0.076mm) |
| | (3853147) | 1 | Stud | Obsolete part, O.S=.013" (0.330mm) |
| 18 | 3855823 | 32 | Valve cotter | |
| 19 | 3855816 | 16 | Valve cap | |
| 20 | 21110962 | 1 | Valve spring | Set of 16, replaced by next part number |
| | 21605360 | 1 | Valve spring | Set of 16 |
| 21 | 3855814 | 8 | Valve stem seal | Intake |
| | 3862362 | 8 | Valve stem seal | Exhaust |
| 22 | 3855810 | 8 | Valve, intake | Standard |
| | 3855808 | 8 | Valve, exhaust | Standard |
| 23 | 3852685 | 1 | Chain | |
| 24 | 3856114 | 1 | Sprocket | |
| 25 | 3853173 | 3 | Bolt | |
| 26 | 3856151 | 3 | Washer | |
| 27 | 3855998 | 1 | Retainer | |
| 28 | 3853172 | 2 | Screw | |
| 29 | 3856119 | 1 | Camshaft | |
| 30 | 3855972 | 1 | • Pin | |
| 31 | (3856162) | 1 | Kit | Obsolete part |