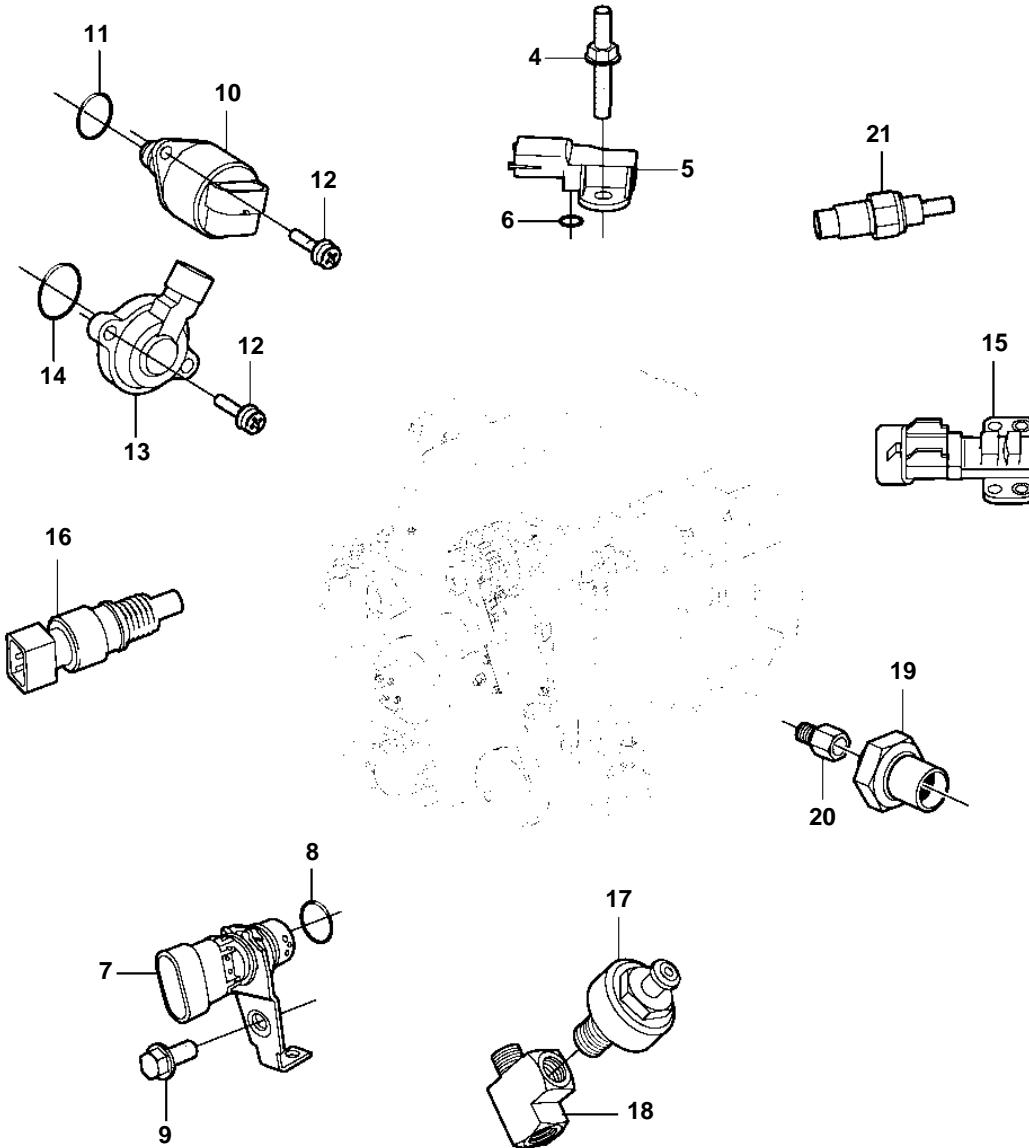
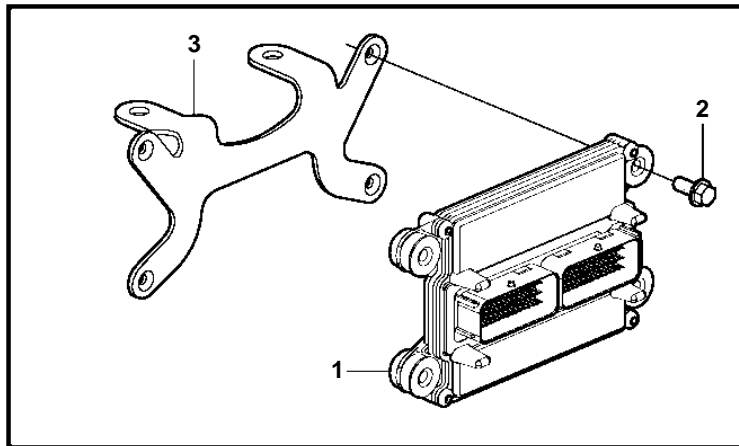


5.7Gi-300-J, 5.7Gi-300-JF, 5.7OSi-300-J, 5.7OSi-300-JF, 5.7Gi-300-N



5.7Gi-300-J, 5.7Gi-300-JF, 5.7OSi-300-J, 5.7OSi-300-JF, 5.7Gi-300-N

REF	PART NO.	QTY	DESCRIPTION	NOTES
1	3594195	1	Module	
2	3843651	4	Screw	
3	3817811	1	Bracket	
4	3858973	1	Bolt	
5	3859020	1	Sensor, MAT/MAP	
6	3858988	1	· Sealing	
7	3858979	1	Sensor, crankshaft position	
8	3859009	1	· O-ring	
9	3858983	1	Bolt	
10	3843751	1	Sensor	
11	3858054	1	· O-ring	
12	3857693	1	Screw	
13	3857487	1	Sensor, throttle position	
14		1	· O-ring	not sold separately
15	3863130	1	Sensor, camshaft position	
16	3850397	1	Switch	
17	3850357	2	Knock sensor	
18	3849477	1	Fitting	Starboard
	3593571	1	Fitting	Port
19	3887328	1	Sensor	
20	3887970	1	Fitting	
21	3862500	2	Temperature sensor	