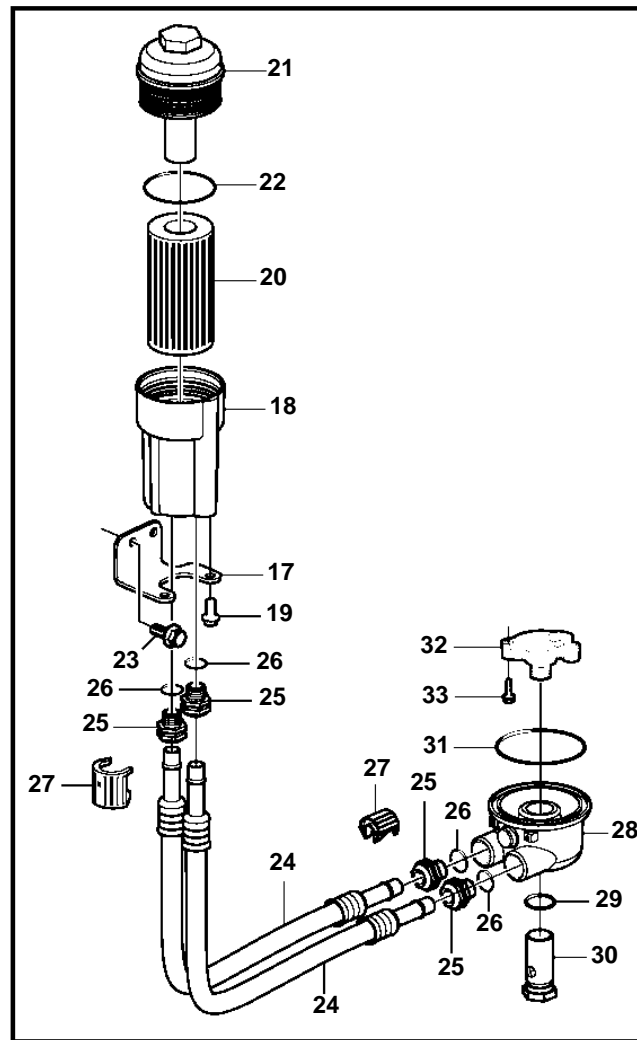
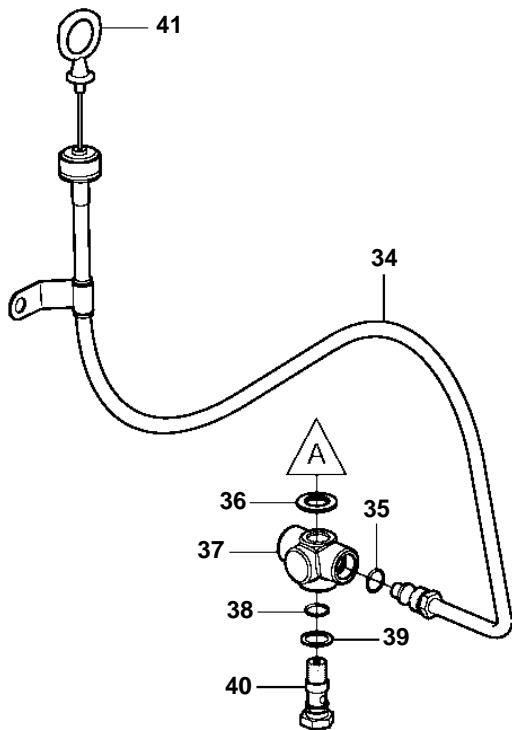
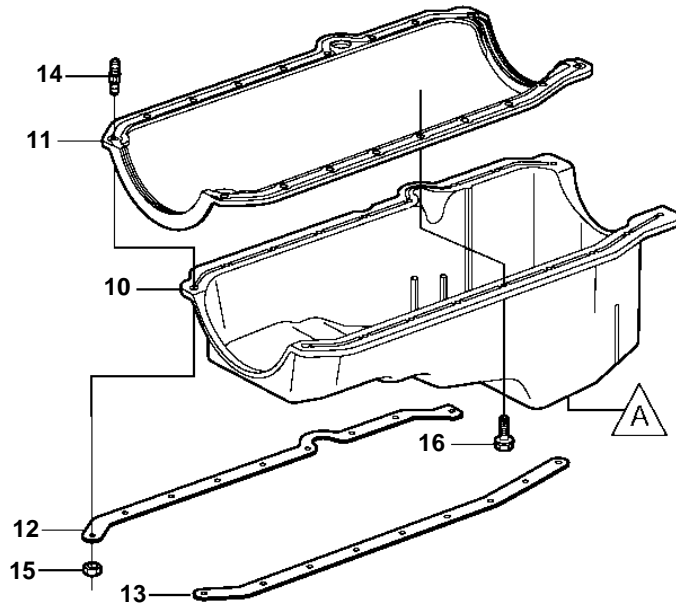
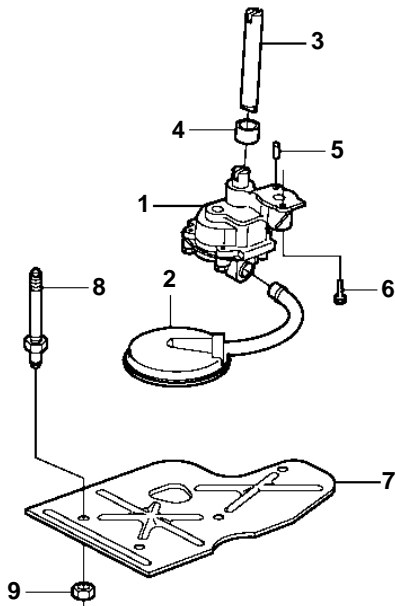


5.7Gi-300-N, 5.7GXi-N



24072

5.7Gi-300-N, 5.7GXi-N

REF	PART NO.	QTY	DESCRIPTION	NOTES
1	3856125	1	Oil pump	
2	3856126	1	Strainer	
3	3853198	1	Shaft	
4	3853199	1	Retainer	
5	3855972	2	Pin	
6	3853234	1	Bolt	
7	3852744	1	Baffle	
8	3862354	6	Stud	
9	3857664	5	Nut	
10	3857778	1	Sump	
11	3856138	1	Gasket kit	
12	3856121	1	Reinforcement	Starboard
13	3856120	1	Reinforcement	Port
14	3853202	4	Stud	
15	3856930	4	Nut	
16	3852595	14	Bolt	
17	21106491	1	Bracket	
18	3886659	1	Oil reservoir	
19	3595499	2	Screw	
20	8692305	1	Oil filter	
21	3875234	1	Cardboard tube	
22		1	· O-ring	not sold separately
23	3595499	2	Screw	
24	3887657	2	Hose assembly	
25	3886181	4	Fitting screw	
26		4	· O-ring	not sold separately
27	3888543	4	Clip	
28	3886019	1	Adapter	
29	3852089	1	O-ring	
30	3853495	1	Retainer	
31	3852470	1	O-ring	
32	3852219	1	Valve	
33	3852133	2	Screw	
34	3595311	1	Dipstick tube	
35	3852033	1	O-ring	
36	3851981	1	Washer	
37	3587783	1	Fitting	
38	3853674	1	O-ring	
39	3852007	1	Washer	
40	888958	1	Retainer	
41	21107444	1	Dipstick	