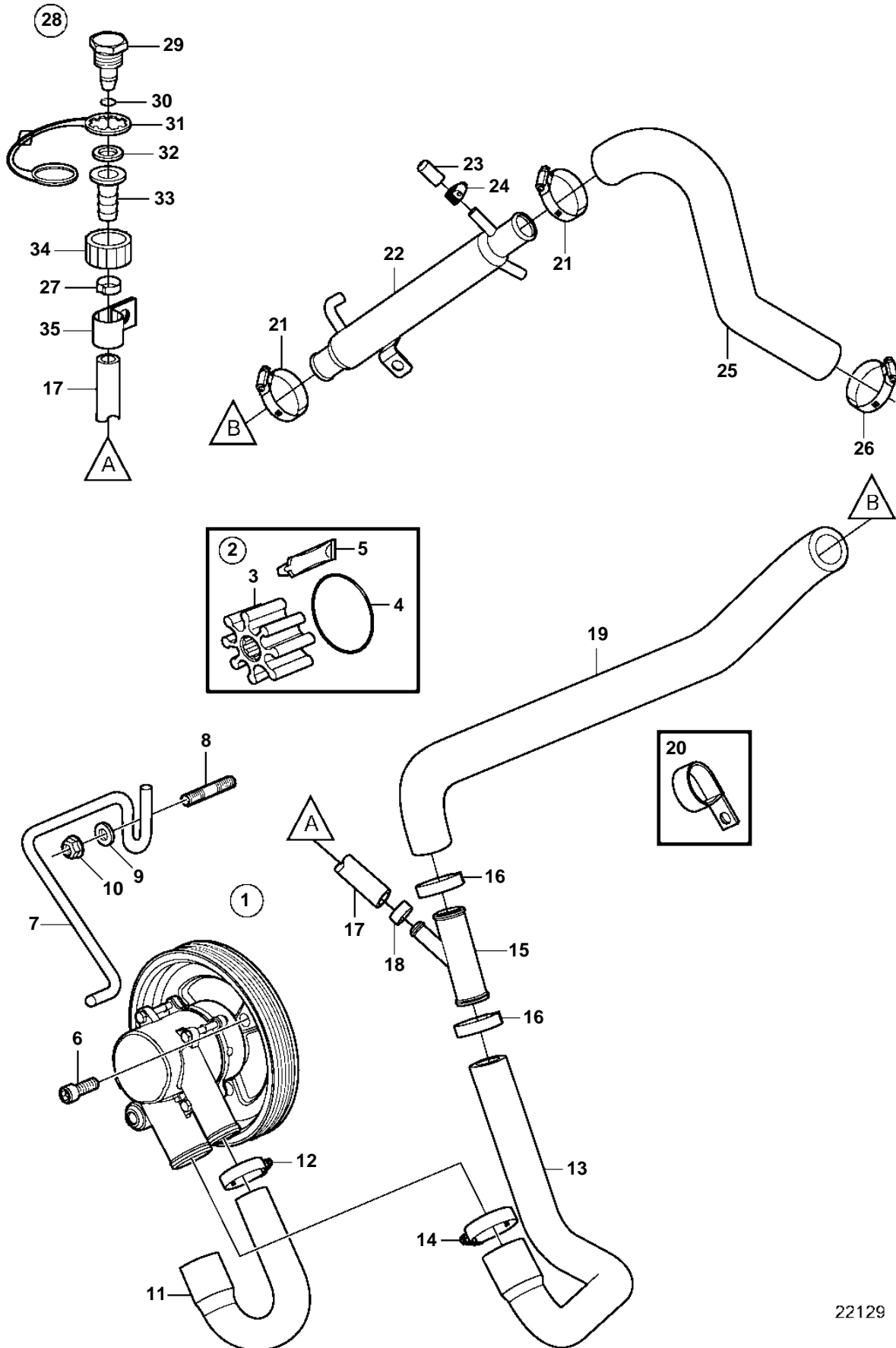


5.7Gi-300-JF, 5.7GXi-JF



22129

5.7Gi-300-JF, 5.7GXi-JF

REF	PART NO.	QTY	DESCRIPTION	NOTES
1	3812519	1	Pump	replaced by next part number
	21212799	1	Pump	
2	3842786	1	• Kit	replaced by next part number
	21213664	1	• Impeller kit	
3		1	• • Impeller	not sold separately
4	3858938	1	• • O-ring	
5		1	• • Lubricant, glycerin	not sold separately
6	3857939	3	Screw	
7	3817688	1	Bracket	
8	941814	2	Stud	
9	980933	2	Washer	
10	3857181	2	Flange lock nut	
11	3817818	1	Hose	
12	3863441	1	Hose clamp	
13	3817823	1	Hose	
14	3863440	1	Hose clamp	
15	3862699	1	T-pipe	
16	982645	2	Clamp	
17	3862901	1	Hose	
18	983168	1	Clamp	
19	3862543	1	Hose	
20	3853312	1	Clamp	
21	3862629	1	Oil cooler	
22	3863444	2	Hose clamp	
23	3856766	1	Cardboard tube	
24	3860413	1	Hose clamp	
25	3817579	1	Hose	
26	3812302	1	Hose clamp	
27	983146	1	Clamp	
28	3807440	1	Connector	
29		1	• Cap	not sold separately
30	942978	1	• O-ring	
31	3862082	1	• Retainer	
32	3807664	1	• Washer	
33		1	• Connector	not sold separately
34		1	• Connector	
35	3862891	1	Attaching clamp	