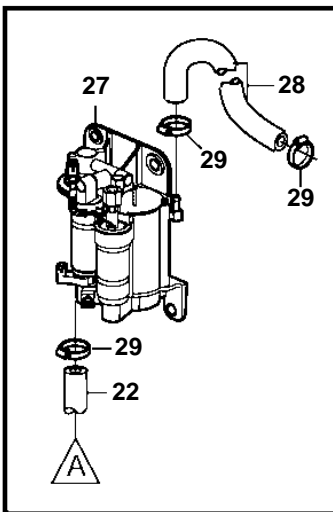
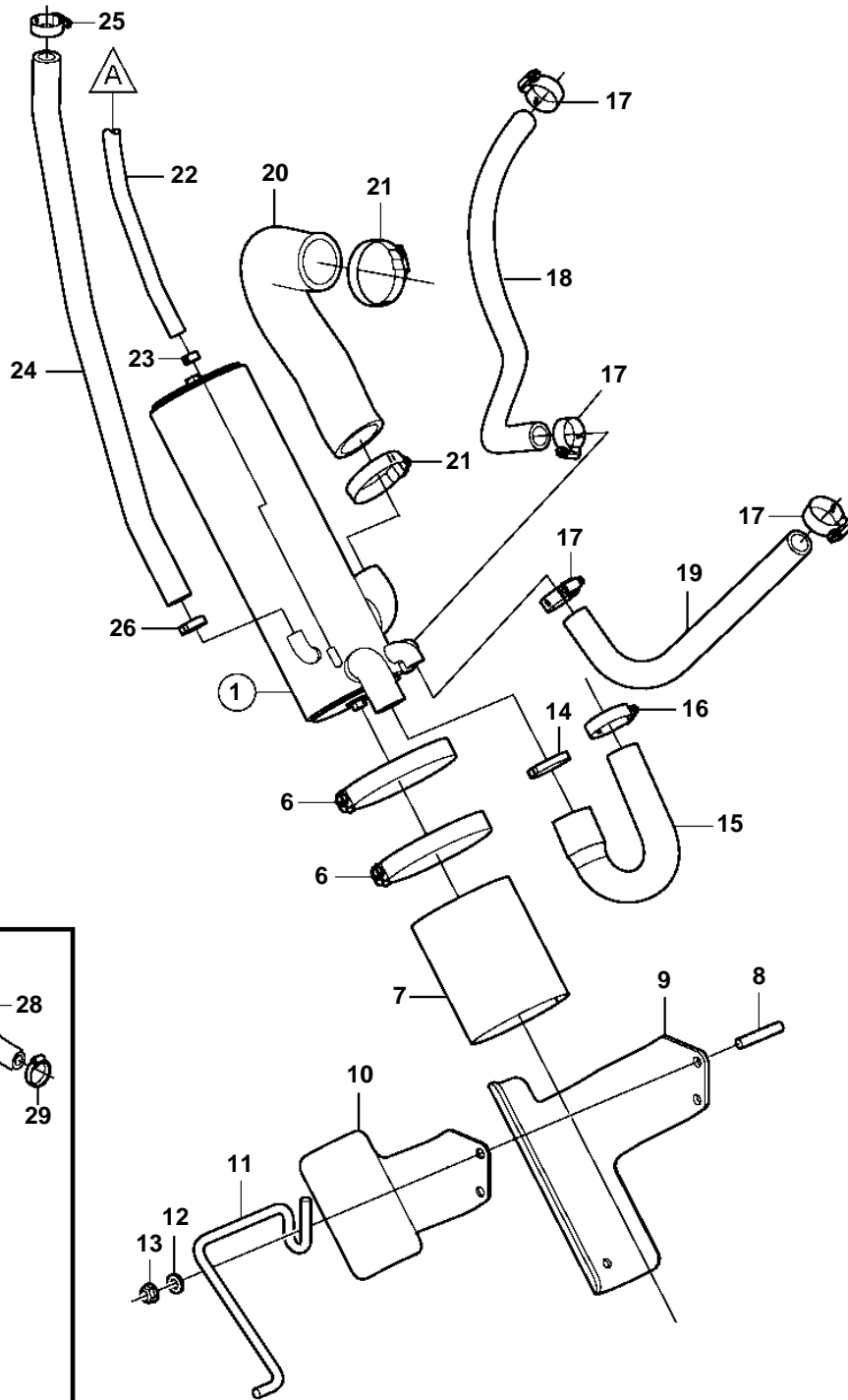
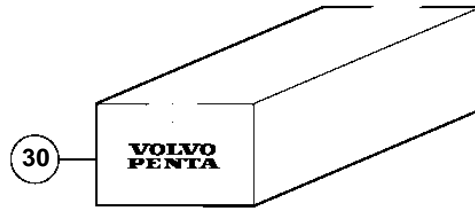
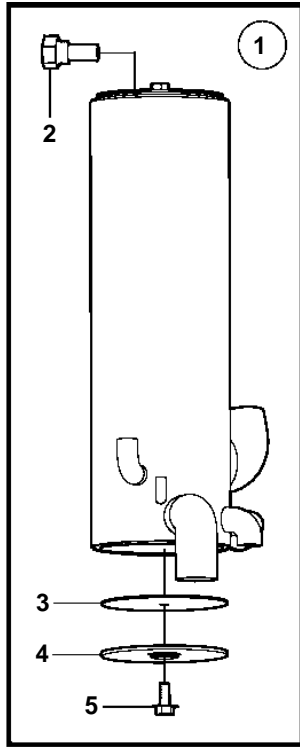


5.7Gi-300-JF, 5.7OSi-300-JF, 5.7GXi-JF, 5.7OSXi-JF, 5.7Gi-300-N, 5.7GXi-N



5.7Gi-300-JF, 5.7OSi-300-JF, 5.7GXi-JF, 5.7OSXi-JF, 5.7Gi-300-N, 5.7GXi-N

REF	PART NO.	QTY	DESCRIPTION	SEE SEC.	NOTES
1	3861471	1	Heat exchanger		
2	3858995	1	· Anode		
3	3858993	2	· Gasket		
4	3858992	2	· Cover		
5	3858994	2	· Screw		
6	3863443	2	Hose clamp		
7	3861453	1	Gasket		
8	941814	2	Stud		
9	3595468	1	Bracket		
10	3595466	1	Bracket		
11	3817688	1	Bracket		
12	980933	2	Washer		
13	3857181	2	Flange lock nut		
14	982717	1	Clamp		
15	3817818	1	Hose		
16	3863440	1	Hose clamp		
17	3812303	4	Hose clamp		
18	3860588	1	Hose		Starboard exhaust manifold
19	3594640	1	Hose		Port exhaust manifold
20	3861472	1	Hose		
21	3863438	2	Hose clamp		
22	3860590	1	Hose		Fuel pump
23	982643	1	Clamp		
24	3861485	1	Hose		Expansion tank
25	3812303	1	Hose clamp		
26	982967	1	Clamp		
27		1	Fuel pump		See "Fuel System" section
28	3862550	1	Hose		
29	3860413	3	Hose clamp		
30	40005446	1	Fresh water cooling · Bulletin P-26-1-3	P-26-1-3-EN	Freshwater Cooling, 4.3/5.0/5.7L