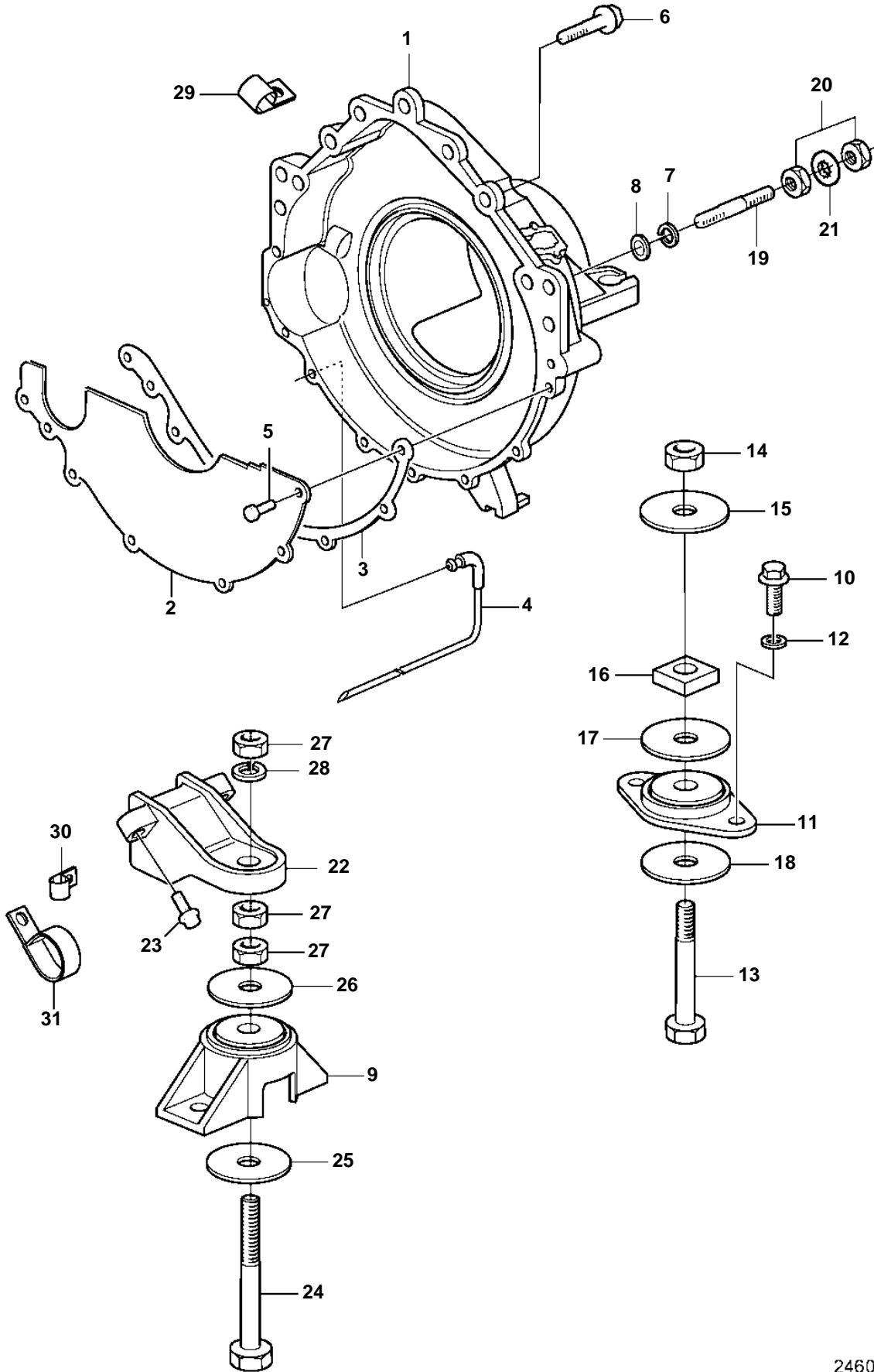


5.7GLPNCS, 5.7GIPNCSCE



24606

5.7GLPNCS, 5.7GIPNCSCE

| REF | PART NO. | QTY | DESCRIPTION | NOTES |
|-----|----------|-----|---|-------------------------|
| 1 | 3853457 | 1 | Housing | |
| 2 | 3854604 | 1 | Cover | |
| 3 | 3852834 | 1 | Gasket | |
| 4 | 3852832 | 1 | Hose, Flywheel hsg | |
| 5 | 3852421 | 7 | Screw, Flywheel cover | |
| 6 | 3853392 | 2 | Screw, Flywheel hsg to engine | |
| | 3853547 | 1 | Screw, Reservoir and flywheel hsg to engine | |
| 7 | 3852002 | 2 | Spring washer, Ground stud, flywheel hsg | |
| 8 | 3852058 | 2 | Washer, Ground stud, flywheel hsg | |
| 9 | 3853805 | 2 | Rubber cushion, Engine front | Port and starboard |
| 10 | 959968 | 4 | Hexagon screw, Rear mount to transom plate | |
| 11 | 3853806 | 2 | Rubber cushion, Transom plate | |
| 12 | 3852155 | 4 | Washer, Rear mount to transom plate | |
| 13 | 3850930 | 2 | Hexagon screw, Rear mount | |
| 14 | 3850929 | 2 | Lock nut, Rear mount | |
| 15 | 3852540 | 2 | Washer, Rear mount to flywheel hsg | |
| 16 | 3852539 | 2 | Square nut, Rear mount | |
| 17 | 3852622 | 2 | Washer, Rear mount | |
| 18 | 3852542 | 2 | Washer, Rear mount | |
| 19 | 3852483 | 2 | Stud, Flywheel housing to engine | Ground |
| 20 | 3852065 | 2 | Nut, Terminal to ground stud, flywheel hsg | |
| 21 | 3852070 | 1 | Washer, Ground stud, flywheel hsg | Starboard |
| 22 | 3852760 | 2 | Bracket, Front, port and starboard | |
| 23 | 3853326 | 6 | Screw, Front mount bracket to engine | |
| 24 | 3852566 | 2 | Bolt, Front mount | Front |
| 25 | 3852428 | 2 | Washer, Bolt, front mount, engine | Lower |
| 26 | 3852433 | 2 | Washer, Front mount | Upper |
| 27 | 3852021 | 6 | Nut, Bolt, mount bracket | Front |
| 28 | 3852090 | 2 | Spring washer, Front mount | |
| 29 | 3852434 | 1 | Clamp | harness |
| | 3852092 | 1 | Clamp | harness |
| 30 | 3852146 | 1 | Clamp, Starter leads to stbd bracket | harness |
| | 3852490 | 1 | Clamp | PS hose |
| 31 | 3853312 | 1 | Clamp | Starboard, cooling hose |