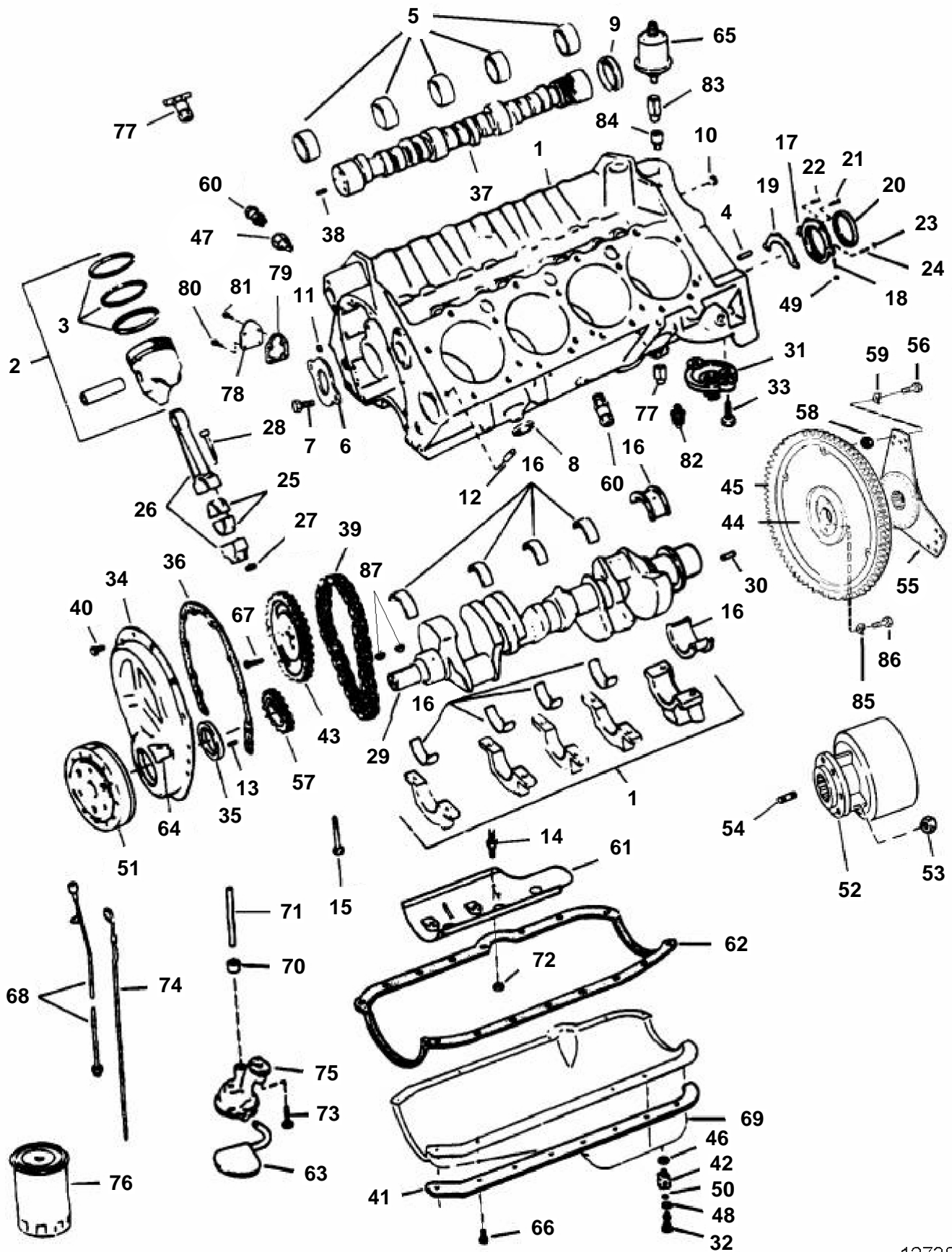


5.7GIPNCACE, 5.7GIPNCMCE, 5.7GIINCSCCE



Upd: 2009-10-21

12738

12738_____
7797230 - 21 - 10601

5.7GIPNCACE, 5.7GIPNCMCE, 5.7GIINCSCCE

REF	PART NO.	QTY	DESCRIPTION	SEE SEC.	NOTES
1	3850848	1	Longblock · Bulletin P-21-0-11	P-21-0-11-EN	Longblock Guidelines, early 5.7L
2	3854219	8	Piston, Standard		
	3854221	8	Piston kit, 0.030 OS		
3	3853960	8	· Piston ring kit, Standard SET		
	3853961	8	· Piston ring kit, 0.030 in. OS		
4		2	Locating pin, Flywheel housing		
5	3856162	1	Kit, Includes all camshaft bearings		
6	3855998	1	· Retainer		
7	3853172	2	Screw, Camshaft retainer		
8	3852100	8	Core plug, Expansion		
9	3853209	1	Core plug, Rear camshaft bearing		
10	3852471	3	Plug, Engine block		
11	3853208	3	Cap plug, Oil gallery, front		
12	3853114	4	Locating pin, Cylinder head		
13	3853213	1	Pin, Timing cover		
14	3853163	5	Stud, Bearing cap		
15	3853214	10	Bolt, Bearing cap		
	3856140	1	Pin, Bearing cap		
16	3856154	1	Bearing		
	3853215	4	· Bearing, Standard, #1-4		
	3853221	1	· Bearing, Standard, #5		
	3856155	1	Bearing, 0.010 in. US		
	3853218	4	· Bearing, 0.010 in. US, #1-4		
	3853224	1	· Bearing, 0.010 in. US, #5		
	3856156	1	Bearing, 0.020 in. US		
	3853220	4	· Bearing, 0.020 in. US, #1-4		
	3853225	1	· Bearing, 0.020 in. US, #5		
17	3853201	1	Retainer, Crankshaft seal		
18	3853202	2	· Stud, Oil pan		
19	3852656	1	· Gasket, Rear oil seal housing		
20	3852657	1	· Sealing, Rear		
21	3853203	2	Bolt, Rear oil seal		
22	3853204	2	Bolt, Rear oil seal		
23	3853206	1	Nut, Rear oil seal retainer		
24	3853205	2	Stud, Rear oil seal housing		
25	3853149	8	Bearing, Standard		
	3853152	8	Bearing, 0.010 in. U.S.		
	3853153	8	Bearing, 0.020 in. U.S.		
26	3853957	8	Connecting rod		
27	3853148	16	Nut, Connecting rod		
28	3853162	16	Bolt, Connecting rod		
29		1	Crankshaft		
30	3853200	1	Pin, Flywheel		Gi
31	3852219	1	Valve, Oil filter bypass		
32	3852694	1	Retainer, Oil pan drain		½-20 UNF
	3850822	1	Retainer		12mm
33	3852133	2	Screw, Oil filter adapter to engine		
34	3853194	1	Timing gear casing		
35	3853341	10	Sealing		
36	3852654	1	Gasket, Timing cover		
37	3853159	1	Camshaft		
38	3853213	1	Pin, Camshaft sprocket		
39	3852685	1	Chain, Camshaft timing		
40	3852441	10	Screw, Timing cover		
41	3853160	1	Reinforcement, Oil pan, port		
	3853161	1	Reinforcement, Oil pan, stbd		
42	3855112	1	Fitting, Oil pan drain		
43	3852689	1	Sprocket, Camshaft		
	3856151	2	Washer, Bolt, camshaft sprocket		
44	3853958	1	Flywheel		
45	3853207	1	· Gear, Flywheel		
46	3851981	1	Washer, Fitting to oil pan		

5.7GIPNCACE, 5.7GIPNCMCE, 5.7GIINCSCCE

REF	PART NO.	QTY	DESCRIPTION	SEE SEC.	NOTES
47	3852489	1	Adapter, Petcock		
48	3852007	1	Washer, Retainer, oil pan drain		
49	3853168	4	Nut, Oil pan		
50	3853674	1	O-ring, Retainer, oil pan drain		
51	3854023	1	Oscillation damper		
52	3853917	1	Clutch, SX, DP-S		
	855656	1	Oscillation damper, Flywheel		290 DP
53	3853273	6	Nut, Stud, flywheel		SX, DP-S
54	3853274	6	Stud, Flywheel coupler		SX, DP-S
55	3852663	2	Woodruff key, Crankshaft balancer		
56	835482	3	Screw, Torsional damper to flywheel		
57	3852690	1	Sprocket, Crankshaft		
58	940097	3	Washer, Dampener to flywheel		290 DP
59	942336	3	Spring washer, Dampener to flywheel		290 DP
60	3854494	2	Drain cock, Engine water drain		
61	3852744	1	Baffle, Oil		
62	3852664	1	Gasket, Oil pan		
63	3853197	1	Oil strainer		
64	3853195	1	Turn signal, Timing indicator		
65	3853800	1	Oil pressure sensor		
	872064	11	Pressure sensor		Dual station
66	3852595	14	Bolt, Oil pan		
67	3853173	3	Bolt, Camshaft sprocket		
68	3850249	1	Tube, Oil level gage		
69	3852686	1	Sump		
70	3853199	1	Retainer, Oil pump shaft		
71	3853198	1	Shaft, Oil pump		
72	3853134	5	Nut, Oil deflector		
73	3853234	2	Bolt, Oil pump		
74	3850474	1	Gauge		
75	3853851	1	Oil pump		
76	835440	1	Oil filter		
			· Bulletin P-21-7-1	P-21-7-1-EN	Oil Filters, GM gas engines
77	3850660	1	Fitting, Oil pressure switch		
78	3850418	1	Cardboard tube		
79	3852113	1	Gasket, Fuel pump plate		
80	3852053	2	Screw, Cover, fuel pump flange		
81	3853419	2	Screw, Cover, fuel pump flange		
82	3852215	1	Pressure monitor, Oil pressure		
83	3852503	1	Elbow, Oil pressure sender to adapter		
84	3852968	1	Fitting, Oil sender		
85	941909	6	Spring washer, Flywheel to crank		290 DP
86	3856130	6	Bolt, Flywheel to crank		290 DP
87	3853213		Pin, Oil pump location		
88	3852663	2	Woodruff key		