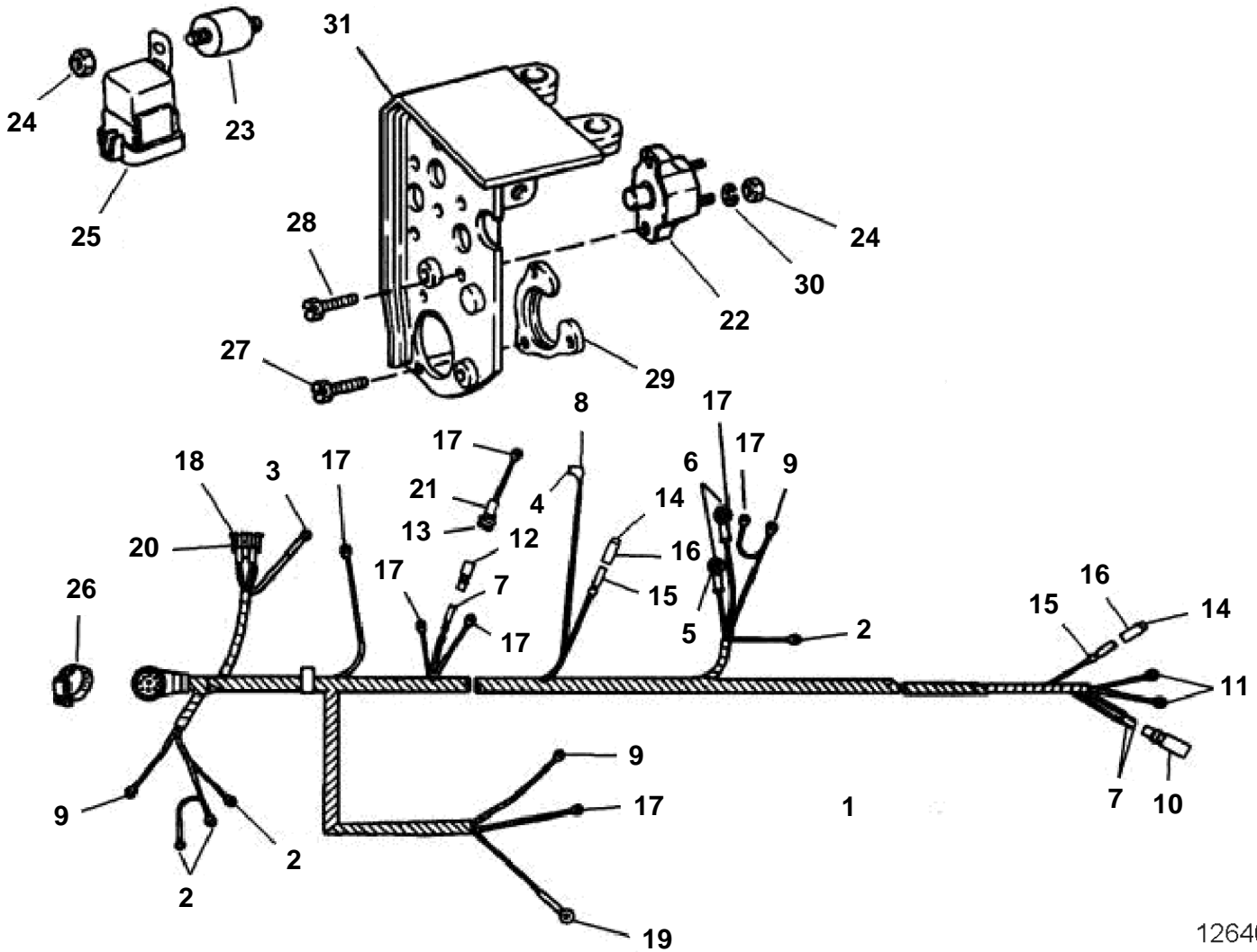


5.7GLPNCS



12640

5.7GLPNCS

REF	PART NO.	QTY	DESCRIPTION
1	3850466	1	Wiring harness
2	3852245	4	• Terminal
3	3852107	1	• Terminal, Bracket ground
4	3852084	1	• Terminal, Choke
5	3852038	1	• Terminal, Alternator output
6	3852130	2	• Rubber cap
7	3852229	2	• Terminal, Pin
8	3853320	1	• Cardboard tube, Terminal
9		3	• Terminal
10	3853565	1	• Connector
11	3850998	2	• Terminal, Ground
12		1	• Connector, Socket
13	3852257	1	• Terminal, Socket
14		2	• Cardboard tube, Socket
15	3852244	2	• Terminal, Socket
16	3852233	2	• Terminal
17	3852254	4	• Terminal, Starter relay
18	3854192	1	• Relay
19	3852037	1	• Terminal, Starter
20	3850991	1	• Connector
21	3854283	2	Switch, 50 amp
22	3850234	1	Rubber cushion, Starter relay
23	3852064	4	Nut, Circuit breaker
24	3852118	1	Nut, Starter relay
25	3854138	1	Relay, Starter
26	3853786	1	Hose clamp, Instrument cable
27	3852208	3	Screw, Cable retainer
28	3853620	4	Hexagon screw, Circuit breaker to bracket
29	3852825	1	Retainer, Engine wiring harness
30	3852001	4	Spring washer, Circuit breaker
31		1	Bracket, Engine cable