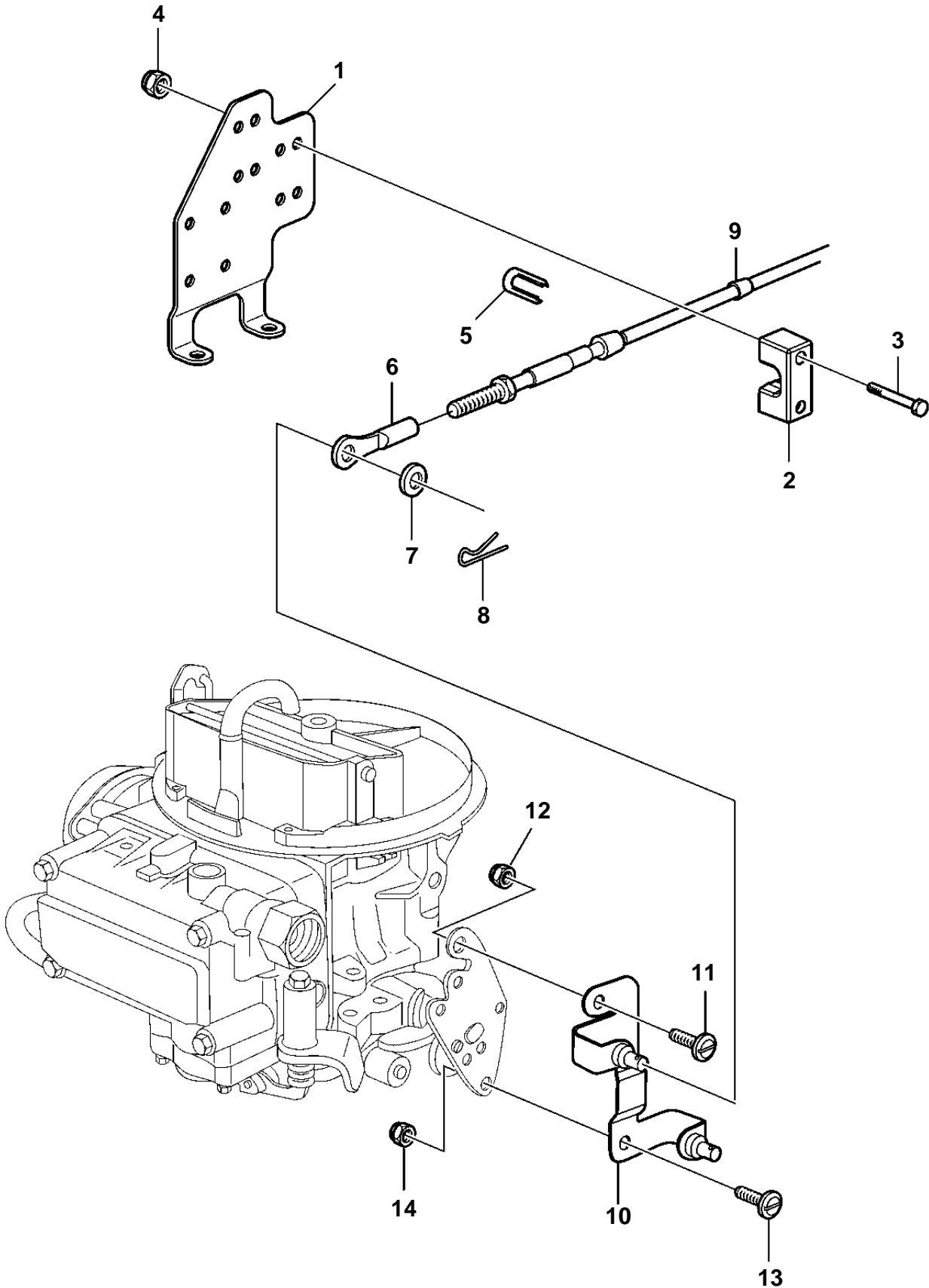


5.7GL-A, 5.7GL-B, 5.7GL-C, 5.7GL-D, 5.0GL-A, 5.0GL-B, 5.0GL-C, 5.0GL-D



5.7GL-A, 5.7GL-B, 5.7GL-C, 5.7GL-D, 5.0GL-A, 5.0GL-B, 5.0GL-C, 5.0GL-D

REF	PART NO.	QTY	DESCRIPTION
1	3860811	1	Bracket
2	3850266	1	Anchor
3	3852048	1	Screw
4	3852118	1	Nut
5	3852019	1	Retainer
6	3850941	1	Adapter
7	3852193	1	Washer
8	3852052	1	Split pin
9		X	Cable
10		1	Intermediate lever
11	3850415	1	Screw
12	3853758	1	Nut
13	3852154	1	Screw
14	3854468	1	Lock nut