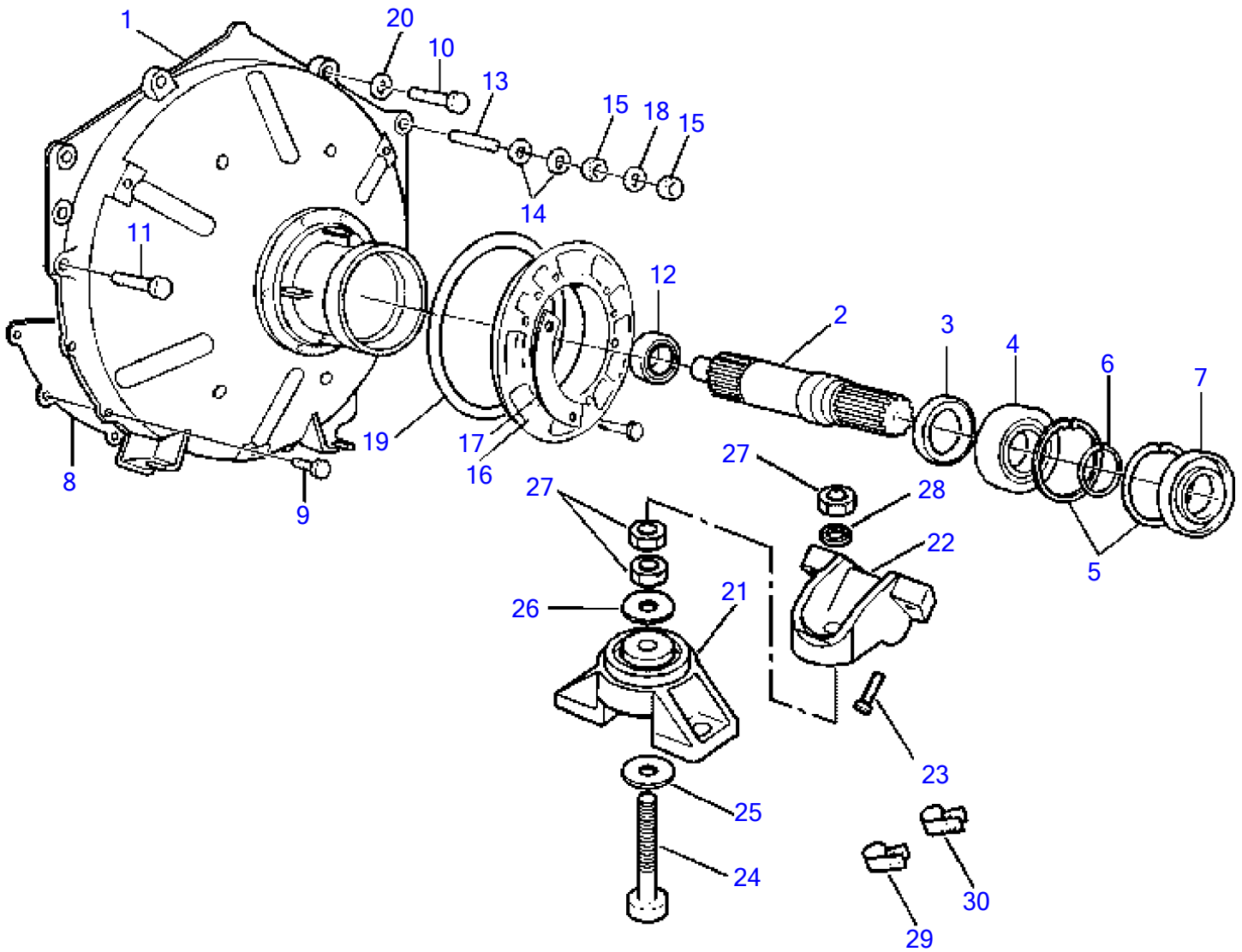


5.7GIPHUS



GR71910

5.7GIPHUS

REF	PART NO.	QTY	DESCRIPTION	NOTES
1	3851017	1	Flywheel housing	
2	873013	1	Primary shaft	
3	958859	1	Sealing ring, primary shaft	
4	3851019	1	Ball bearing, primary shaft	
5	914533	2	Snap ring, primary shaft	
6	914462	1	Snap ring, primary shaft	
7	958860	1	Sealing ring, primary shaft	
8	854939	1	Cover plate, flywheel housing	
9	947224	5	Hexagon screw, flywheel cover to housing	
10	3853547	1	Flange screw	
11	3850753	3	Flange screw, flywheel housing to engine	
12	3860697	1	Bushing, primary shaft to crankshaft	
13	3850571	2	Stud, flywheel housing to engine	Ground
14	3852058	2	Washer	
	3852002	2	Spring washer	
15	(3852065)	4	Nut	Obsolete part
16	854315	1	Clamping ring kit, flywheel housing	Not shown
17	806624	3	• Striker plate, clamp ring	
18	191844	6	• Hexagon screw	
19	804190	2	• Rubber ring, clamp ring	
20	(3852070)	2	Washer	Obsolete part
21	3853805	2	Rubber cushion, engine front	Port and starboard
22	3852760	2	Bracket, front, port and starboard	
23	3853326	6	Flange screw, front mount bracket to engine	
24	3852566	2	Bolt, front mount	Front
25	3852090	2	Spring washer, bolt, front mount, engine	
26	3852433	2	Washer, front mount	Upper
27	3852021	6	Nut, bolt, mount bracket	Front
28	3852428	2	Washer, front mount	Lower
29	(3852146)	1	Clamp, starter leads to stbd bracket	Obsolete part
30	3852092	1	Attaching clamp, engine harness	