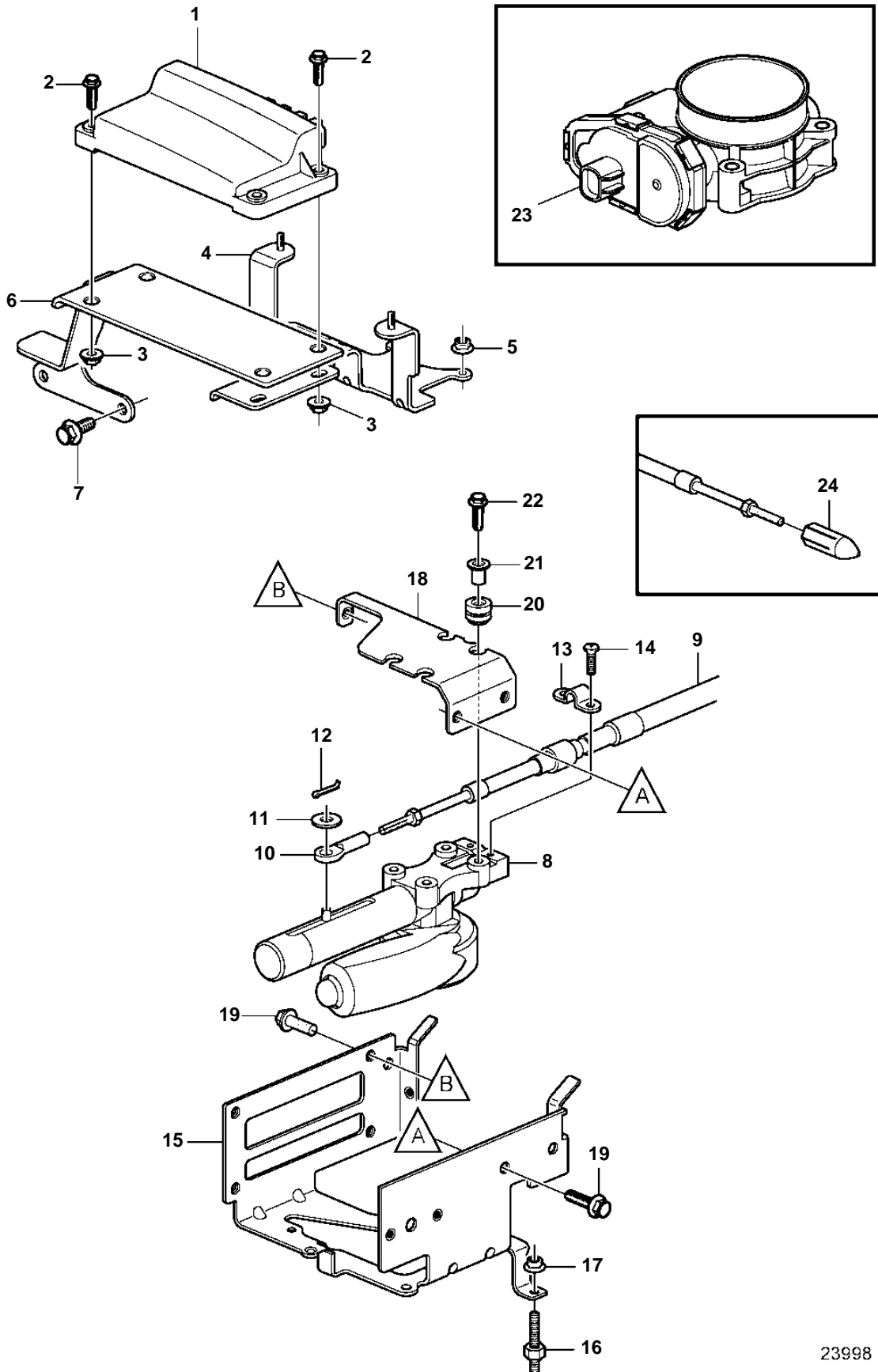


5.0GXIE-JF, 5.0GXIE-J, 5.0OSiE-JF, 5.0OSiE-J, 5.0GXIE-K, 5.0GXIE-KF, 5.0GXIE-M, 5.0GXIE-MF



23998

5.0GXIE-JF, 5.0GXIE-J, 5.0OSiE-JF, 5.0OSiE-J, 5.0GXIE-K, 5.0GXIE-KF, 5.0GXIE-M, 5.0GXIE-MF

REF	PART NO.	QTY	DESCRIPTION	NOTES
1	3849496	1	Control unit	
2	946671	4	Flange screw	
3	948645	4	Flange lock nut	
4	3594456	1	Bracket	
5	981124	2	Flange nut	
6	21110079	1	Bracket	Sea water cooling
	40005868	1	Bracket	Fresh water cooling
7	982702	2	Flange screw	
8	3848712	1	Shift motor	Shift
9	3594991	1	Cable	
10	3850941	1	Adapter	
11	940191	1	Washer	
12	17253	1	Split pin	
13	21144647	1	Bracket	
14	973155	2	6 point socket screw	
15	3595367	1	Bracket	
16	3594748	1	Spacer screw	L=45mm
	3594749	2	Spacer screw	L=40mm
17	981124	2	Flange nut	
18	3595369	1	Bracket	
19	3852006	3	Screw	
20	3594888	4	Vibration damper	
21	3594890	4	Sleeve	
22	3843651	4	Screw	
23		1	Throttle control	See "Throttle Body" page
24	40005050	1	Guide	