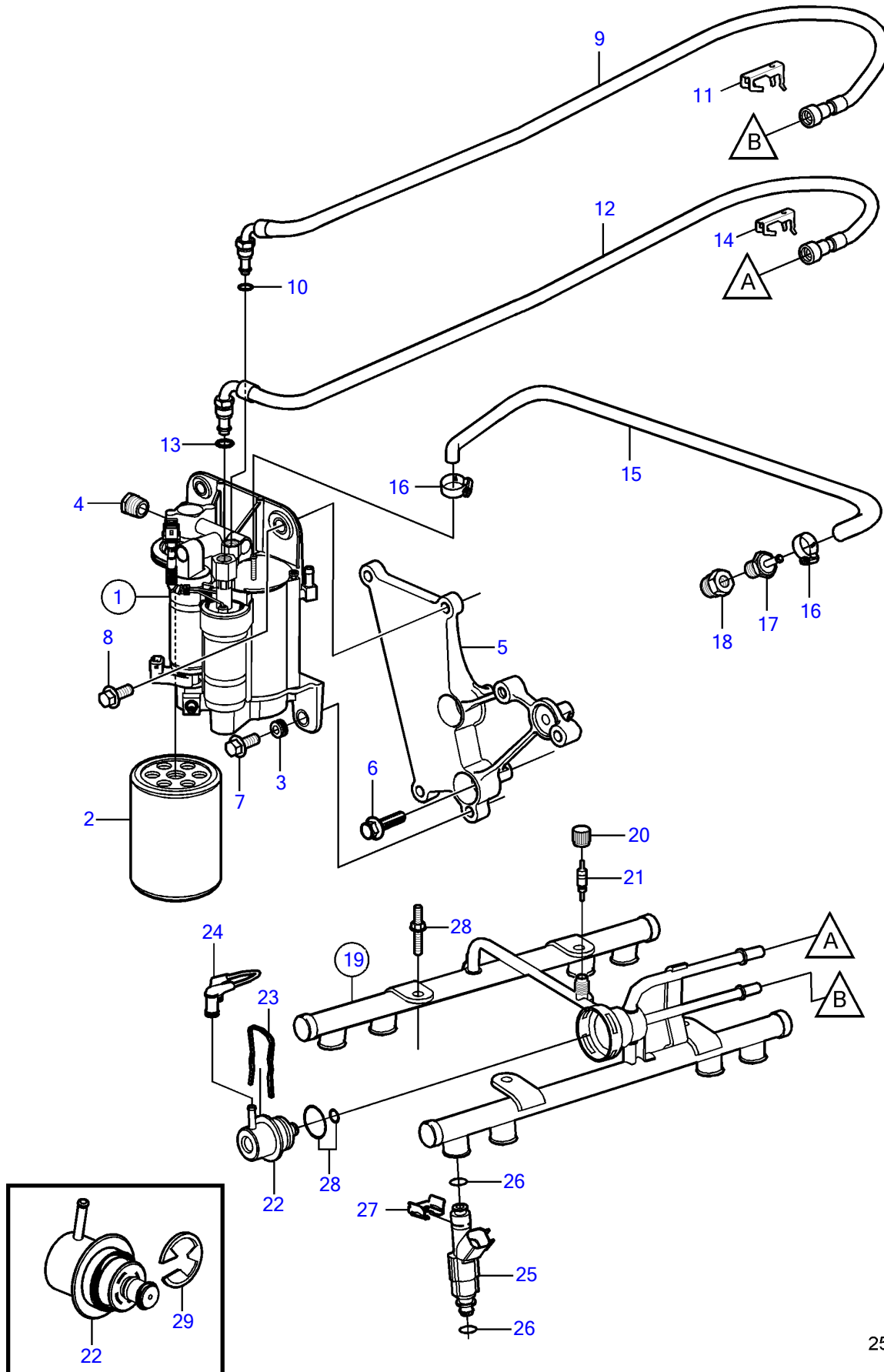


5.0GXIC-270-R, 5.0GiC-225-S



25360

5.0GXIC-270-R, 5.0GIC-225-S

| REF | PART NO. | QTY | DESCRIPTION | SEE SEC. | NOTES |
|-----|----------|-----|---------------------|-------------|---|
| 1 | 21545138 | 1 | Fuel pump | | replaced by next part number |
| | 21608511 | 1 | Fuel pump | | |
| | 3588865 | 1 | • Fuel pump kit | | High pressure fuel pump |
| 2 | 3847644 | 1 | • Fuel filter | | |
| | | | • Bulletin P-23-3-4 | P-23-3-4-EN | High Capacity Fuel Filter, Gas |
| | | | • Bulletin p-18-8-1 | p-18-8-1-EN | Volvo Penta Ethanol Fuel treatment |
| 3 | 3861396 | 4 | • Rubber bushing | | |
| 4 | 3857816 | 1 | Bushing | | |
| 5 | 21358873 | 1 | Bracket | | |
| 6 | 3850753 | 3 | Flange screw | | |
| 7 | 982702 | 2 | Flange screw | | |
| 8 | 946472 | 2 | Flange screw | | |
| 9 | 3888727 | 1 | Fuel hose | | |
| 10 | 3850424 | 1 | • O-ring | | |
| 11 | 3887195 | 1 | Locking clip | | |
| 12 | 3888725 | 1 | Fuel hose | | |
| 13 | 3850423 | 1 | • O-ring | | |
| 14 | 3887198 | 1 | Locking clip | | |
| 15 | 3807072 | 1 | Kit | | |
| | | 1 | • Hose | | |
| 16 | 3860413 | 2 | Hose clamp | | |
| 17 | 3860290 | 1 | Nipple | | |
| 18 | 3861926 | 1 | Tube fitting | | |
| 19 | 3858966 | 1 | Fuel pipe | | |
| 20 | 3858972 | 1 | Cardboard tube | | |
| 21 | 3858971 | 1 | Valve | | |
| 22 | 3858967 | 1 | Governor | | |
| | | | • Bulletin P-23-7-3 | P-23-7-3-EN | Fuel Pressure Regulator, 4.3L, 5.0L, 5.7L |
| 23 | 3858968 | 1 | Clip | | |
| 24 | 3858974 | 1 | Hose | | |
| 25 | 21141691 | 8 | Injector | | |
| 26 | 3858981 | 1 | O-ring | | Includes 16 o-rings for injectors and 2 o-rings for pressure regulator. |
| 27 | 3858970 | 8 | Retainer | | |
| 28 | 3858973 | 4 | Bolt | | |
| 29 | 21491831 | 1 | Clip | | |