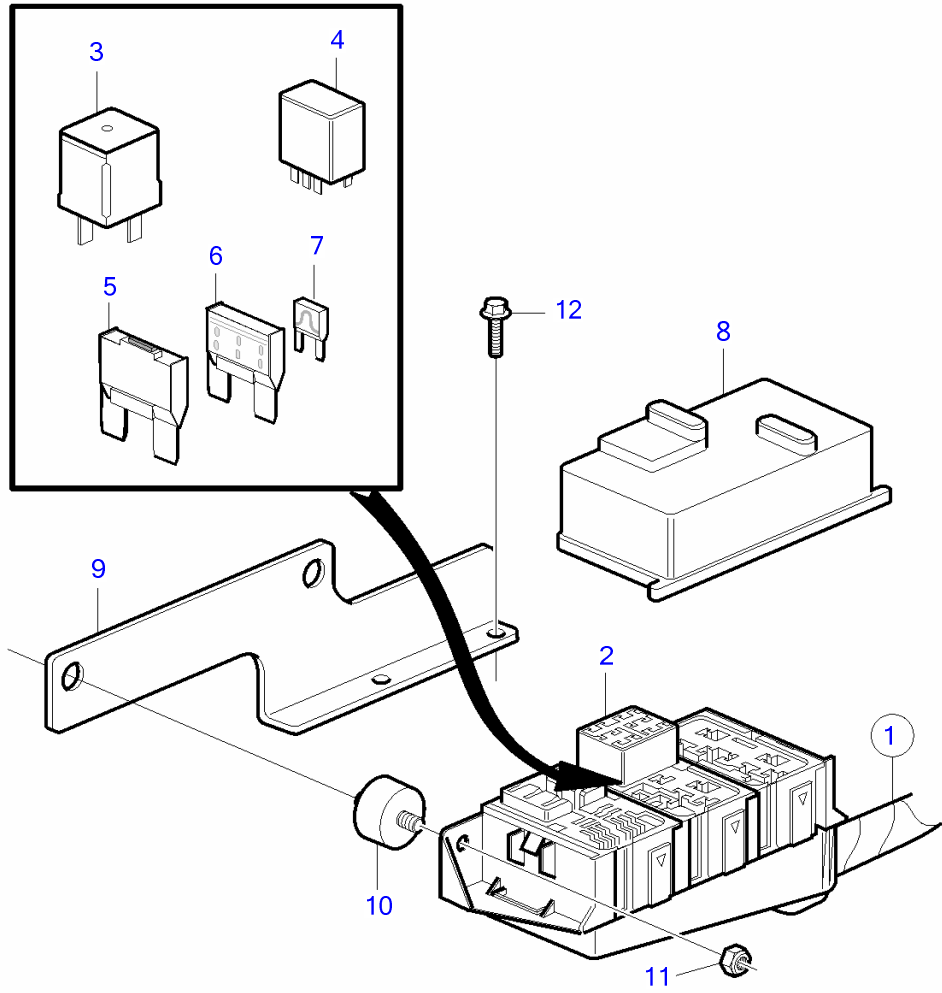


5.0GXIC-270-R, 5.0GiC-225-S



5.0GXIC-270-R, 5.0GiC-225-S

REF	PART NO.	QTY	DESCRIPTION	NOTES
1		1	Wiring harness	
2		1	• Fuse box	not sold separately
3	3858809	3	• Relay	
4	3841366	2	• Relay	
5	3884849	1	• Fuse	40A
6	3841370	1	• Fuse	20A
	3841371	1	• Fuse	40A
7	3841373	1	• Fuse	5A
	3863403	1	• Fuse	7.5A
	3841372	1	• Fuse	10A
	3861373	1	• Fuse	15A
	3861374	1	• Fuse	20A
8		1	• Cover plate	not sold separately
9		1	Bracket	
10	3840402	2	Mounting base	
11	3852118	2	Nut	
12	946544	2	Flange screw	