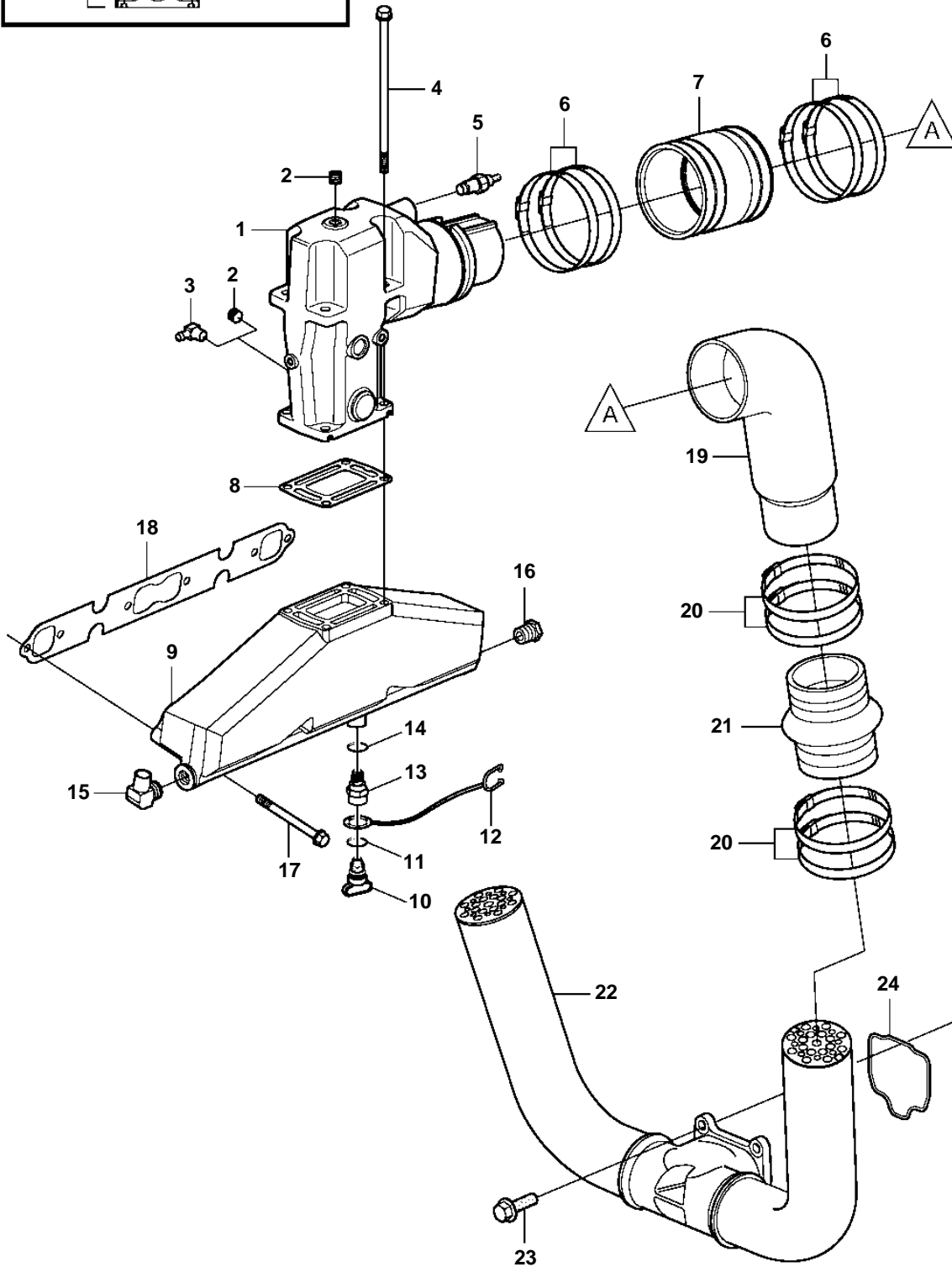
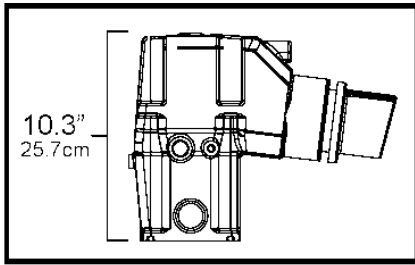


5.00Si-J, 5.00Si-JF



## 5.00Si-J, 5.00Si-JF

REF	PART NO.	QTY	DESCRIPTION	SEE SEC.	NOTES
1	3889965	2	Manifold		
			· Bulletin P-25-1-4	P-25-1-4-EN	Tall Riser Options
2	3850740	3	Plug		
3	3853597	1	Elbow		
4	3808361	8	Screw		
5	3862500	2	Temperature sensor		
6	3863443	8	Hose clamp		
7	3852696	2	Hose		
8	3863191	1	Kit		
		2	· Gasket		not sold separately
9	3847501	2	Manifold		
10	21114522	2	· Drain plug		
	3849500	1	· · Plug		Replaced by 21114522, not sold separately
11	976970	1	· · O-ring		
12	3849892	1	· · Retainer		
13	21238201	2	Adapter		
14	976970	2	· O-ring		
15	3852538	2	Elbow		
16	3595388	2	Plug		
17	3857184	12	Flange screw		
18	3852468	2	Gasket		
19	3863189	2	Elbow		
20	3863442	8	Hose clamp		
21	3863450	2	Bellows		
22	3594152	1	Exhaust pipe		
23	3841928	4	Screw		
24	3860984	1	Sealing		