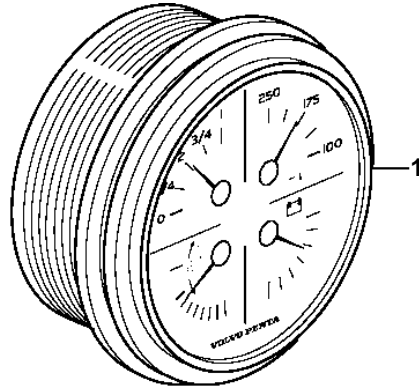
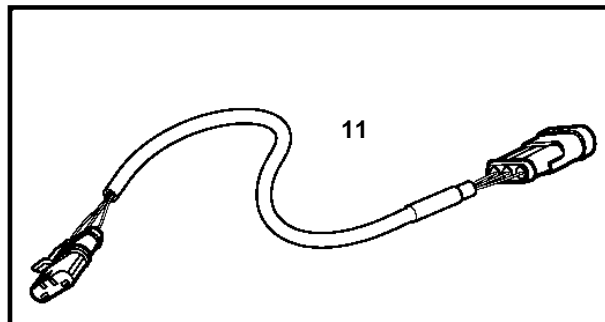
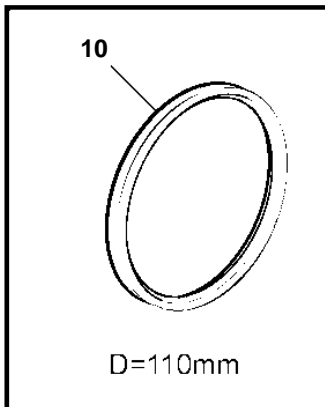
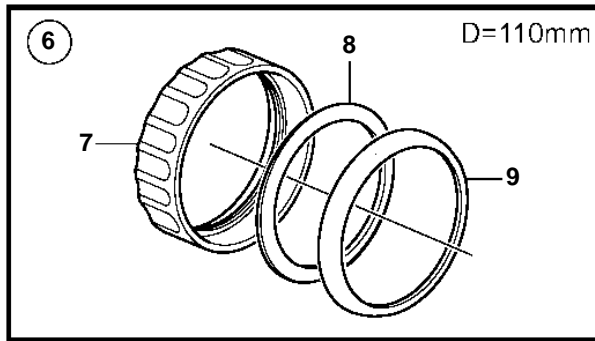
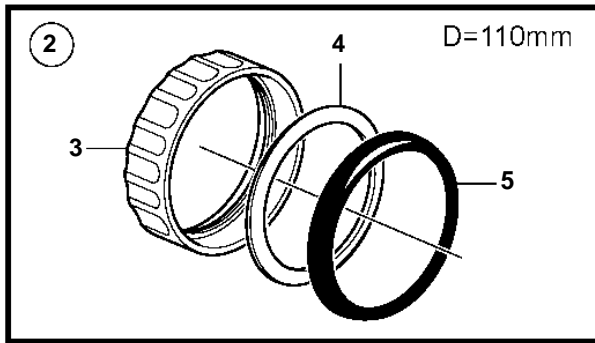


5.0GXi-J, 5.0GXi-JF, 5.0OSi-J, 5.0OSi-JF, 5.0GXi-N



D=110mm



## 5.0GXi-J, 5.0GXi-JF, 5.0OSi-J, 5.0OSi-JF, 5.0GXi-N

REF	PART NO.	QTY	DESCRIPTION	SEE SEC.	NOTES
1	3885214	1	Instrument · Bulletin P-36-9-3	P-36-9-3-EN	Oil pressure, coolant temp, fuel level, volt meter, White New products in the EVC family
1	3885215	1	Instrument · Bulletin P-36-9-3	P-36-9-3-EN	Trim (analog), coolant temp, fuel level, volt meter, White New products in the EVC family
1	3847876	1	Instrument · Bulletin P-36-9-3	P-36-9-3-EN	Oil pressure, coolant temp, fuel level, volt meter, Black New products in the EVC family
1	3847879	1	Instrument · Bulletin P-36-9-3	P-36-9-3-EN	Trim (analog), coolant temp, fuel level, volt meter, Black New products in the EVC family
2	3847888	1	Mounting kit · Bulletin P-36-9-3	P-36-9-3-EN	Black New products in the EVC family
3	3884098	1	· Attaching ring		
4	3884103	1	· Gasket		
5	3847887	1	· Ring		
6	3885216	1	Mounting kit · Bulletin P-36-9-3	P-36-9-3-EN	Chrome New products in the EVC family
7	3884098	1	· Attaching ring		
8	3884103	1	· Gasket		
9	3884096	1	· Ring		
10	3886791	1	X-ring · Bulletin P-36-9-3	P-36-9-3-EN	For flush mounting. New products in the EVC family
11	874759	1	Extension cable'verl		L=1000mm
	3807043	1	Extension cable'verl		L=3000mm