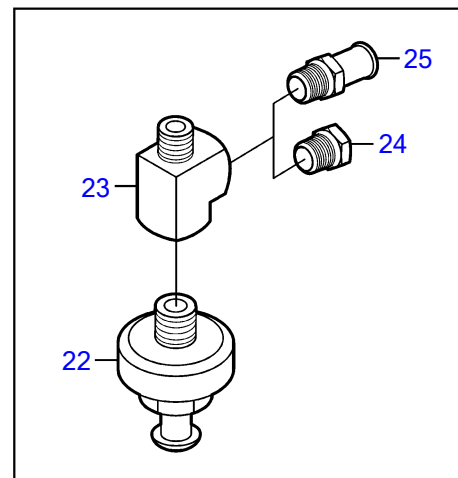
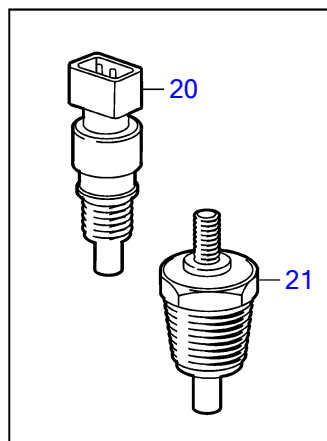
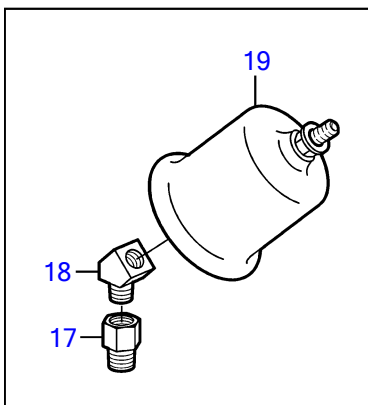
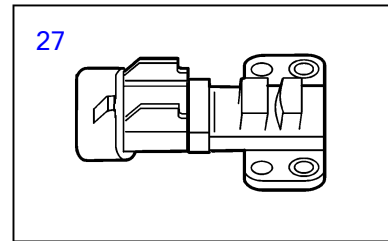
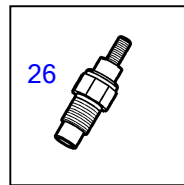
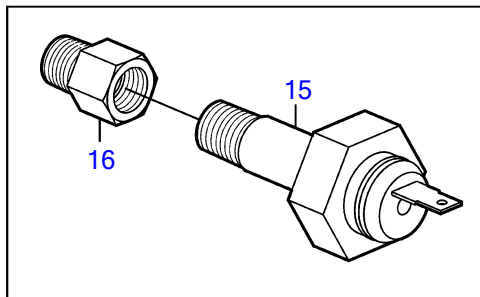
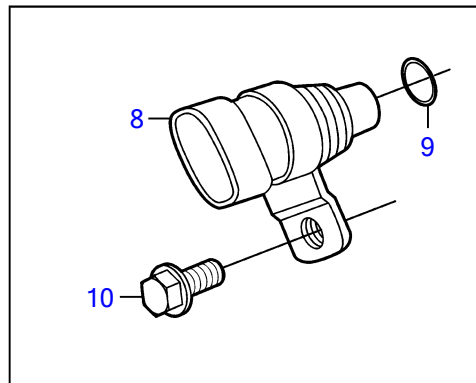
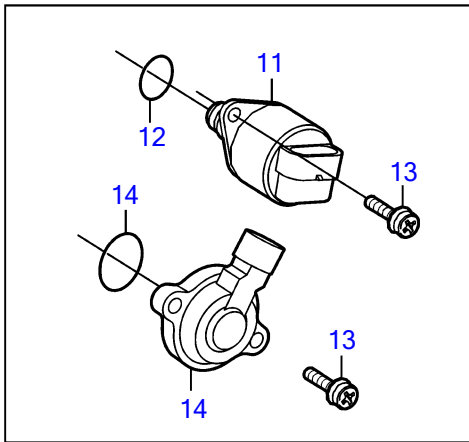
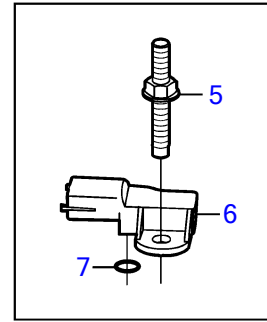
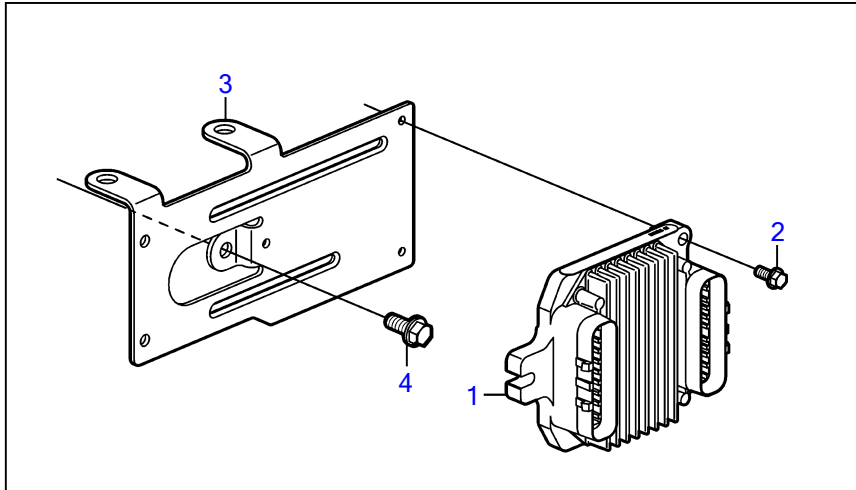


5.0GXl-B, 5.0GXl-BF, 5.0OSl-B, 5.0OSl-BF



5.0GXi-B, 5.0GXi-BF, 5.0OSi-B, 5.0OSi-BF

REF	PART NO.	QTY	DESCRIPTION	NOTES
1	3861770	1	Engine control modul	
2	3852053	3	Flange screw	
3	3857815	1	Bracket	
4	3853398	1	Flange screw	
5	3858973	1	Bolt	
6	3858987	1	Sensor, MAT/MAP	
7	3858988	1	• Sealing	
8	3858979	1	Sensor, crankshaft position	
9	3859009	1	• O-ring	
10	3858983	1	Bolt	
11	3843750	1	Sensor, IAC	
12	(3858054)	1	• O-ring	Obsolete part
13	(3857693)	1	Screw	Obsolete part
14	3857487	1	Sensor, throttle position	
		1	• O-ring	not sold separately
15	3852215	1	Sensor, oil pressure	
16	3855776	1	Adapter	
17	3850660	1	Fitting	
18	3852503	1	Elbow	
19	3857532	1	Oil pressure sensor, oil pressure	
	872064	1	Pressure sensor, oil pressure	Dual station
20	3850397	1	Switch	
21	3852029	1	Sensor, coolant water temp.	
	872068	1	Temperature sensor, coolant water temp.	Dual station
22	3850357	1	Knock sensor, knock	
23	3850490	1	Fitting	
24	3850802	1	Plug	
25	3858501	1	Nipple	
26	3861997	2	Temperature sensor	
27	3863130	1	Sensor, camshaft position	

7744230-28-5042

19316

Upd:2014-02-12