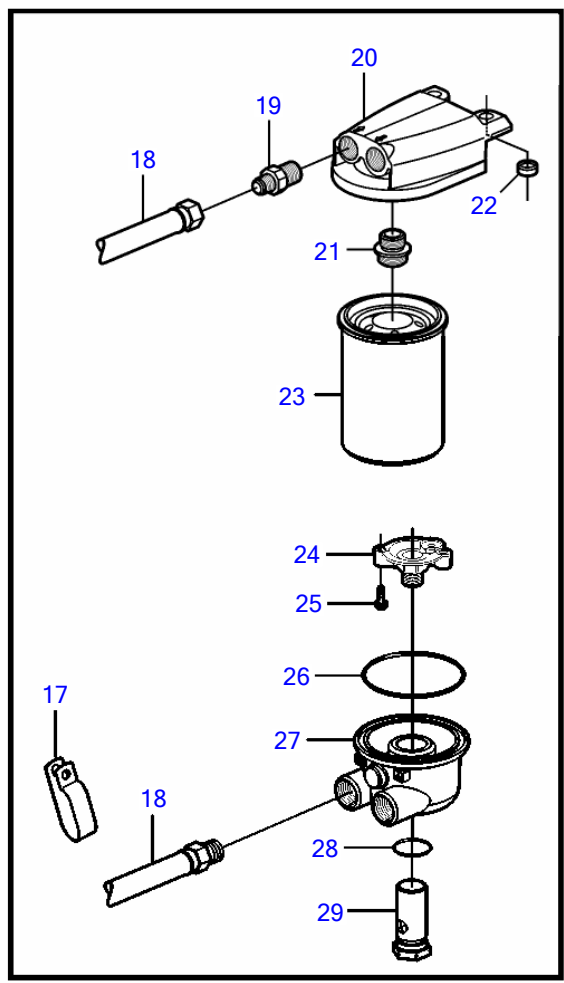
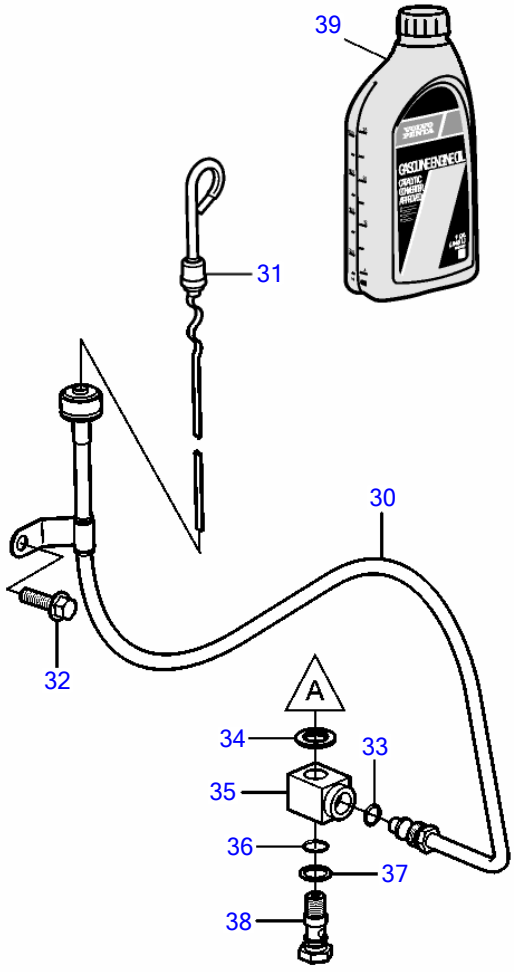
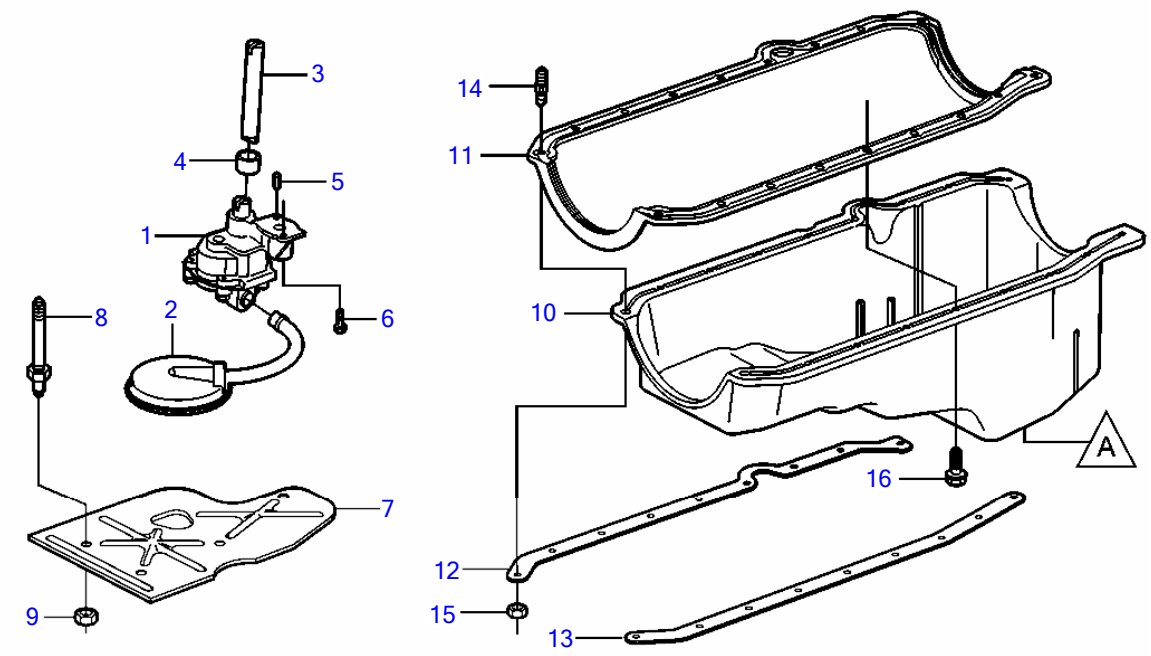


5.0GXl-B, 5.0GXl-BF, 5.0OSl-B, 5.0OSl-BF, 5.7GIl-B, 5.7GIl-BF, 5.7GXl-C, 5.7GXl-CF, 5.7OSl-A, 5.7OSl-AF, 5.7OSXl-A, 5.7OSXl-AF



18618

5.0GXi-B, 5.0GXi-BF, 5.0OSi-B, 5.0OSi-BF, 5.7Gi-B, 5.7Gi-BF, 5.7GXi-C, 5.7GXi-CF, 5.7OSi-A, 5.7OSi-AF, 5.7OSXi-A, 5.7OSXi-AF

REF	PART NO.	QTY	DESCRIPTION	SEE SEC.	NOTES
1	3856125	1	Oil pump		
2	3856126	1	Strainer		
3	3853198	1	Shaft		
4	3853199	1	Retainer		
5	3855972	2	Pin		
6	3853234	1	Bolt		
7	3852744	1	Baffle		
8	3862354	6	Stud		
9	3857664	5	Nut		
10	3857778	1	Sump		
11	3856138	1	Gasket kit		
12	3856121	1	Reinforcement		Starboard
13	3856120	1	Reinforcement		Port
14	3853202	4	Stud		
15	3856930	4	Nut		
16	3852595	14	Bolt		
17	3860075	2	Attaching clamp		
18	3860054	2	Hose		
19	3860234	2	Fitting		
20	3860450	1	Adapter		
21	3852015	1	• Connector		
22	930842	1	Washer		
23	3850559	1	Filter		
			• Bulletin P-21-7-1	P-21-7-1-EN	Oil Filters, GM gas engines
24	(3852219)	1	Valve		Obsolete part
25	3852133	2	Screw		
26	3852470	1	O-ring		
27	(3860060)	1	Adapter		Obsolete part
28	3852089	1	O-ring		
29	3853495	1	Retainer		
30	(3860402)	1	Tube		Obsolete part
31	3850474	1	Gauge		
32	(3853419)	1	Flange screw		Obsolete part
33	3852033	1	O-ring		
34	3851981	1	Washer		
35	3862046	1	Attaching fitting		
36	3853674	1	O-ring		
37	3852007	1	Washer		
38	3850822	1	Retainer		
39		X	Oil	36050	For current oil part numbers, follow link to "Maintenance Parts" page.

7744230-21-5030

18618

Upd:2014-02-12