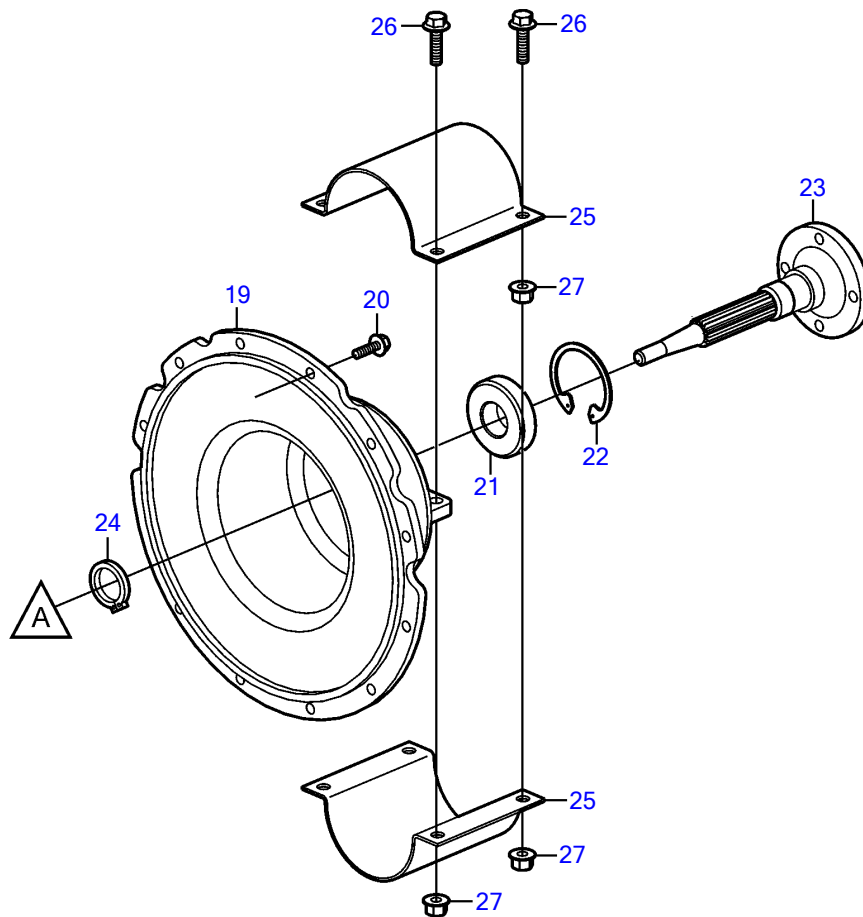
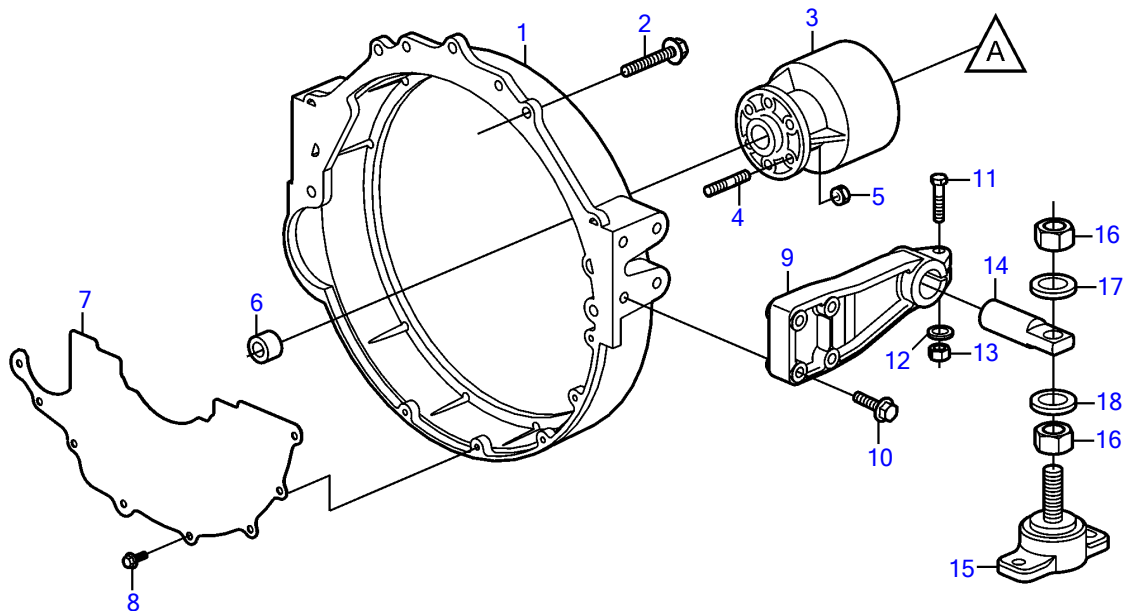


5.0GXi-B, 5.0GXi-BF, 5.0OSi-B, 5.0OSi-BF, 5.7Gi-B, 5.7Gi-BF, 5.7GXi-C, 5.7GXi-CF, 5.7OSi-A, 5.7OSi-AF, 5.7OSXi-A, 5.7OSXi-AF



18665

5.0GXi-B, 5.0GXi-BF, 5.0OSi-B, 5.0OSi-BF, 5.7Gi-B, 5.7Gi-BF, 5.7GXi-C, 5.7GXi-CF, 5.7OSi-A, 5.7OSi-AF, 5.7OSXi-A, 5.7OSXi-AF

REF	PART NO.	QTY	DESCRIPTION	NOTES
1	3851722	1	Flywheel housing	
2	955542	6	Hexagon screw	
3	3858437	1	Rubber coupling	
4	3853274	6	Stud	
5	3853273	6	Nut	
6	3860697	1	Bushing	
7	3852833	1	Cover plate	
8	3852421	6	Screw	
9	(3851758)	2	Adapter kit	Obsolete part
10	965187	8	Flange screw	
11	955551	2	Hexagon screw	
12	941909	2	Spring washer	
13	950355	2	Lock nut	
14	(841247)	2	Dowel	Obsolete part
15	3807621	2	Anchorage	
16	955860	4	• Hexagon nut	
17	955902	2	Washer	
18	941914	2	Spring washer	Obsolete part
19	3851727	1	Bearing housing	
20	946752	11	Flange screw	
21	181877	1	Ball bearing	
22	914540	1	Snap ring	
23	3851724	1	Adapter kit	
24	914465	1	Snap ring	
25	(3851729)	2	Adapter kit	Obsolete part
26	965192	4	Flange screw	
27	971099	6	Flange lock nut	