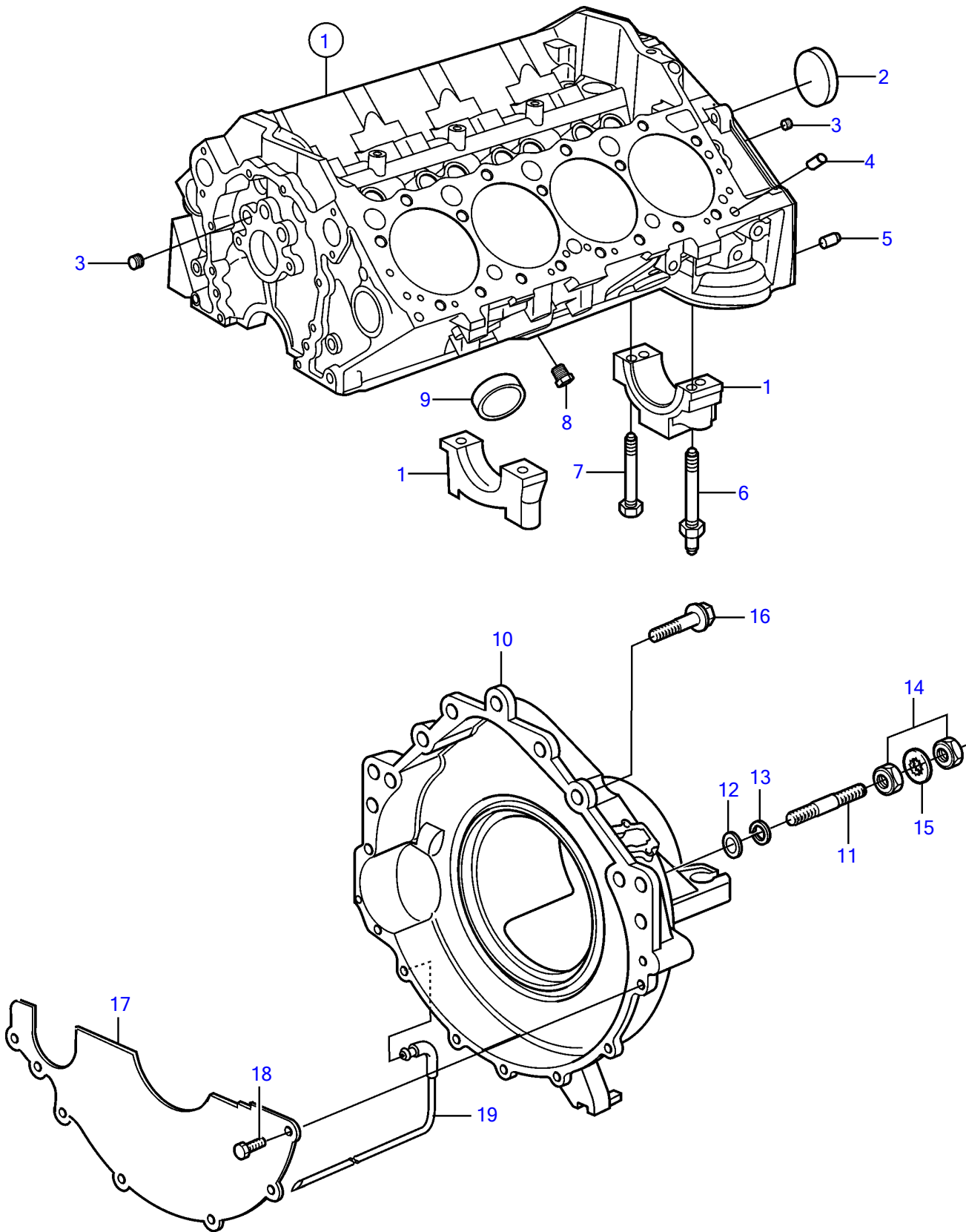


5.0GXi-B, 5.0GXi-BF, 5.0OSi-B, 5.0OSi-BF, 5.7Gi-B, 5.7Gi-BF, 5.7GXi-C, 5.7GXi-CF, 5.7OSi-A, 5.7OSi-AF, 5.7OSXi-A, 5.7OSXi-AF



5.0GXi-B, 5.0GXi-BF, 5.0OSi-B, 5.0OSi-BF, 5.7Gi-B, 5.7Gi-BF, 5.7GXi-C, 5.7GXi-CF, 5.7OSi-A, 5.7OSi-AF, 5.7OSXi-A, 5.7OSXi-AF

REF	PART NO.	QTY	DESCRIPTION	NOTES
1			Cylinder block	
2	3853209	1	• Core plug	
3	952075	X	• Plug	
4	3853114	4	• Locating pin, cylinder head	
5	3856001	2	• Pin, flywheel housing	
6	3862354	6	• Stud	
7	3862355	10	• Bolt	
8	3850802	X	Plug	
9	3852100	8	Core plug	
10	3857846	1	Housing	
11	3850571	2	Stud	
12	3852058	2	Washer	
13	3852002	2	Spring washer	
14	(3852065)	4	Nut	Obsolete part
15	(3852070)	2	Washer	Obsolete part
16	3853266	1	Flange screw	L=1.00" (25mm)
	3853326	3	Flange screw	L=1.25" (32mm)
17	3854604	1	Cover	
18	3852421	7	Screw	
19	3852832	1	Hose	