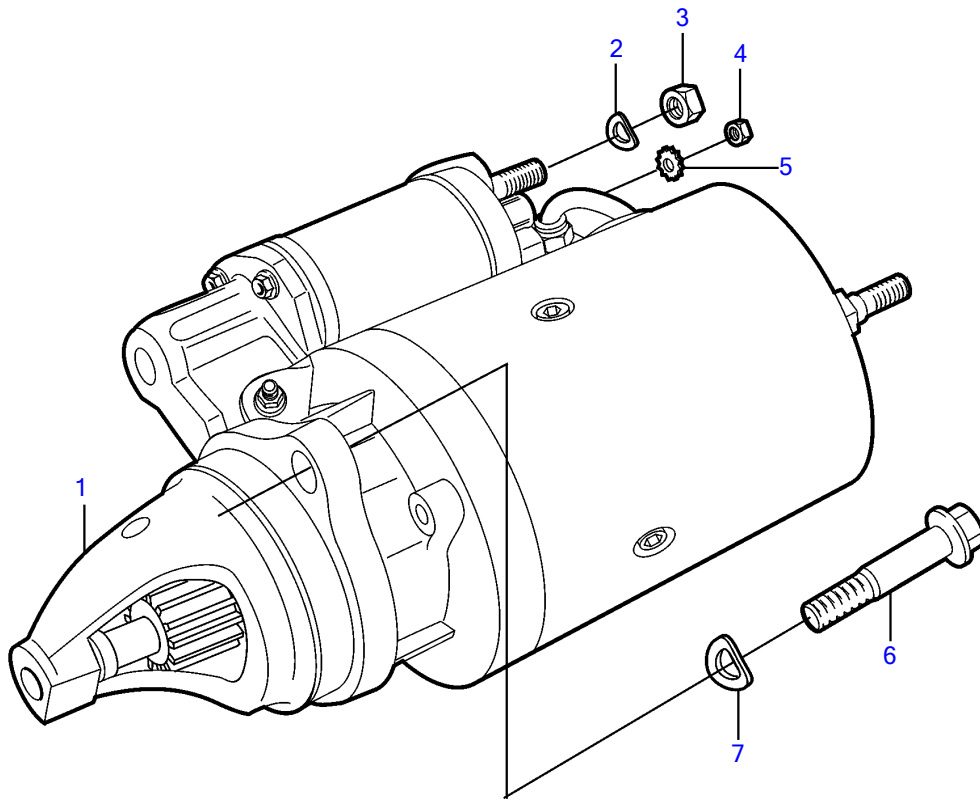


5.7GiI-B, 5.7GXII-C



18632

