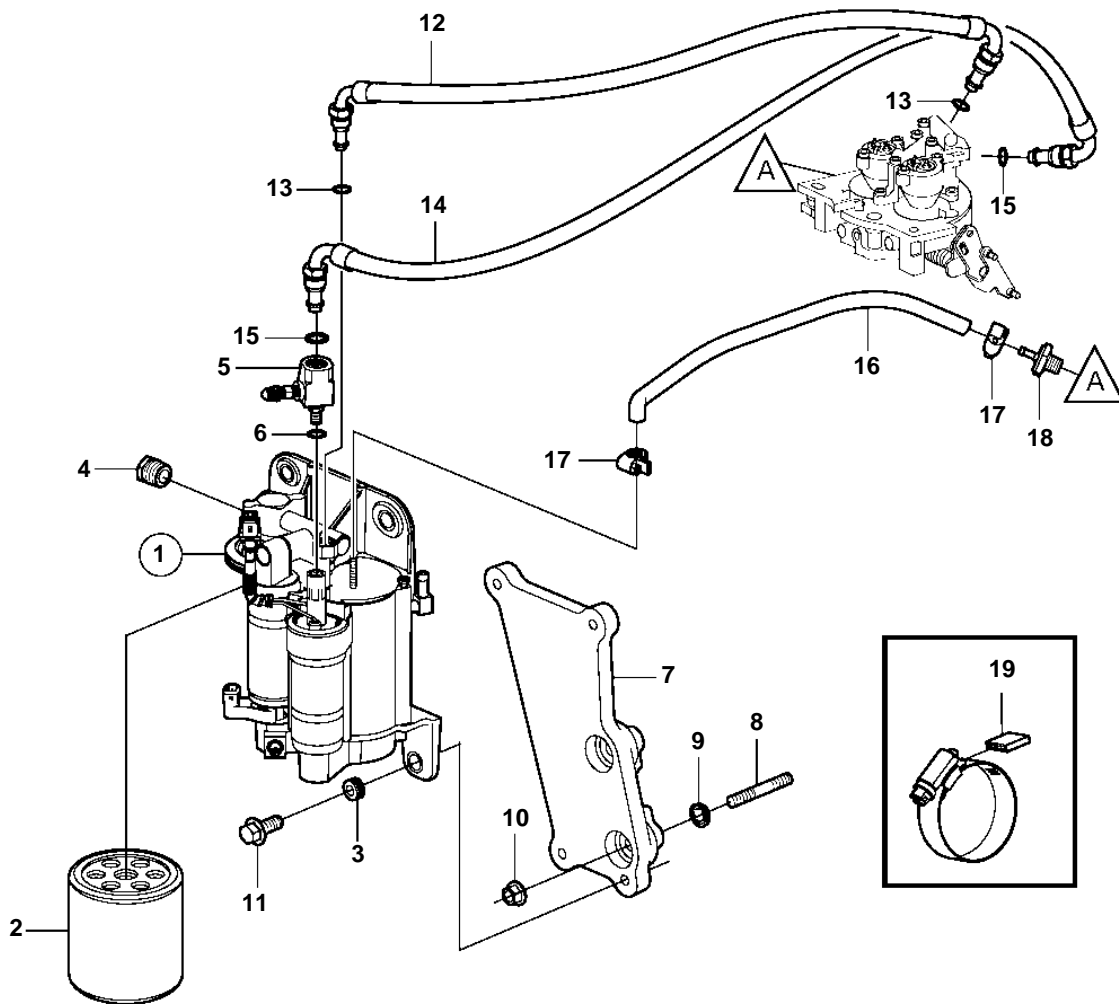


5.0GXi-A, 5.7Gi-A, 5.7GXi-B



5.0GXi-A, 5.7Gi-A, 5.7GXi-B

| REF | PART NO. | QTY | DESCRIPTION      | NOTES              |
|-----|----------|-----|------------------|--------------------|
| 1   | 3860210  | 1   | Condenser        |                    |
|     | 3588865  | 1   | · Fuel pump kit  | HIGH PRESSURE PUMP |
| 2   | 3862228  | 1   | · Fuel filter    |                    |
| 3   | 3861396  | 4   | · Rubber bushing |                    |
| 4   | 3857816  | 1   | Bushing          |                    |
| 5   | 3861684  | 1   | Kit              |                    |
| 6   | 3850424  | 1   | · O-ring         |                    |
| 7   | 3861031  | 1   | Bracket          |                    |
| 8   | 3860928  | 2   | Stud             |                    |
| 9   | 3860538  | 2   | Nut, speed       |                    |
| 10  | 3853404  | 2   | Nut              |                    |
| 11  | 982702   | 4   | Flange screw     |                    |
| 12  | 3860207  | 1   | Fuel pipe        |                    |
| 13  | 3850423  | 2   | O-ring           |                    |
| 14  | 3860156  | 1   | Fuel pipe        |                    |
| 15  | 3850424  | 2   | O-ring           |                    |
| 16  | 3860085  | 1   | Hose             |                    |
| 17  | 3860413  | 2   | Hose clamp       |                    |
| 18  | 3860290  | 1   | Nipple           |                    |
| 19  | 3861999  | 2   | Cover            | W=0.300" (7.6mm)   |