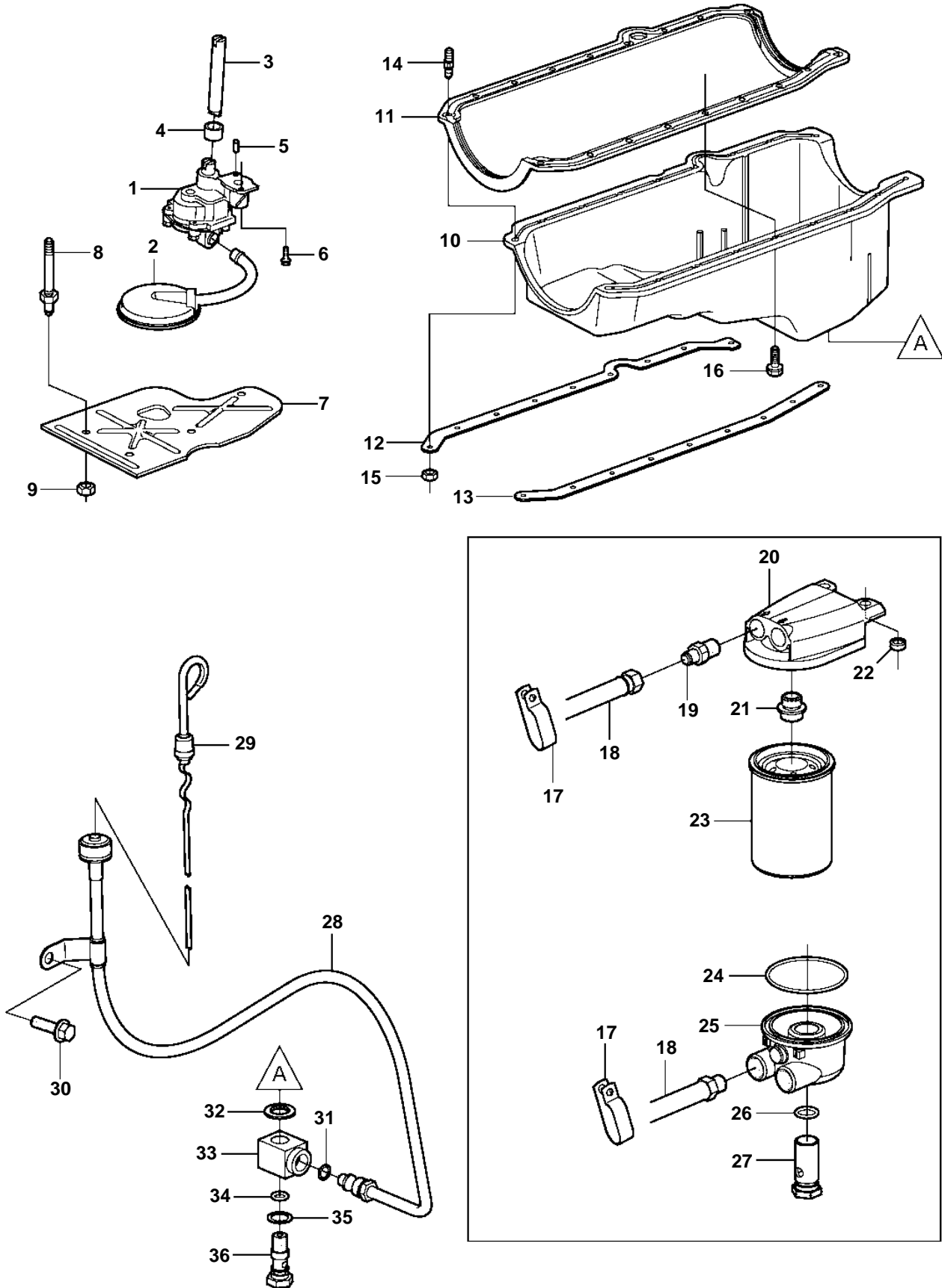


5.0GXi-A, 5.7Gi-A, 5.7GXi-B



## 5.0GXi-A, 5.7Gi-A, 5.7GXi-B

| REF | PART NO. | QTY | DESCRIPTION         | SEE SEC.    | NOTES                       |
|-----|----------|-----|---------------------|-------------|-----------------------------|
| 1   | 3856125  | 1   | Oil pump            |             |                             |
| 2   | 3856126  | 1   | Strainer            |             |                             |
| 3   | 3853198  | 1   | Shaft               |             |                             |
| 4   | 3853199  | 1   | Retainer            |             |                             |
| 5   | 3855972  | 2   | Pin                 |             |                             |
| 6   | 3853234  | 1   | Bolt                |             |                             |
| 7   | 3852744  | 1   | Baffle              |             |                             |
| 8   | 3862354  | 6   | Stud                |             |                             |
| 9   | 3857664  | 5   | Nut                 |             |                             |
| 10  | 3857778  | 1   | Sump                |             |                             |
| 11  | 3856138  | 1   | · Gasket kit        |             |                             |
| 12  | 3856121  | 1   | Reinforcement       |             | STARBOARD                   |
| 13  | 3856120  | 1   | Reinforcement       |             | PORT                        |
| 14  | 3853202  | 4   | Stud                |             |                             |
| 15  | 3856930  | 4   | Nut                 |             |                             |
| 16  | 3852595  | 14  | Bolt                |             |                             |
| 17  | 3860075  | 2   | Clamp               |             |                             |
| 18  | 3860054  | 2   | Hose                |             |                             |
| 19  | 3860234  | 2   | Fitting             |             |                             |
| 20  | 3860450  | 1   | Adapter             |             |                             |
| 21  | 3852015  | 1   | · Connector         |             |                             |
| 22  | 930842   | 1   | Washer              |             |                             |
| 23  | 3850559  | 1   | Filter              |             |                             |
|     |          |     | · Bulletin P-21-7-1 | P-21-7-1-EN | Oil Filters, GM gas engines |
| 24  | 3852470  | 1   | O-ring              |             |                             |
| 25  | 3860060  | 1   | Adapter             |             |                             |
| 26  | 3852089  | 1   | O-ring              |             |                             |
| 27  | 3853495  | 1   | Retainer            |             |                             |
| 28  | 3860402  | 1   | Tube                |             |                             |
| 29  | 3850474  | 1   | Gauge               |             |                             |
| 30  | 3853419  | 1   | Screw               |             |                             |
| 31  | 3852033  | 1   | O-ring              |             |                             |
| 32  | 3851981  | 1   | Washer              |             |                             |
| 33  | 3855112  | 1   | Fitting             |             |                             |
| 34  | 3853674  | 1   | O-ring              |             |                             |
| 35  | 3852007  | 1   | Washer              |             |                             |
| 36  | 3850822  | 1   | Retainer            |             |                             |