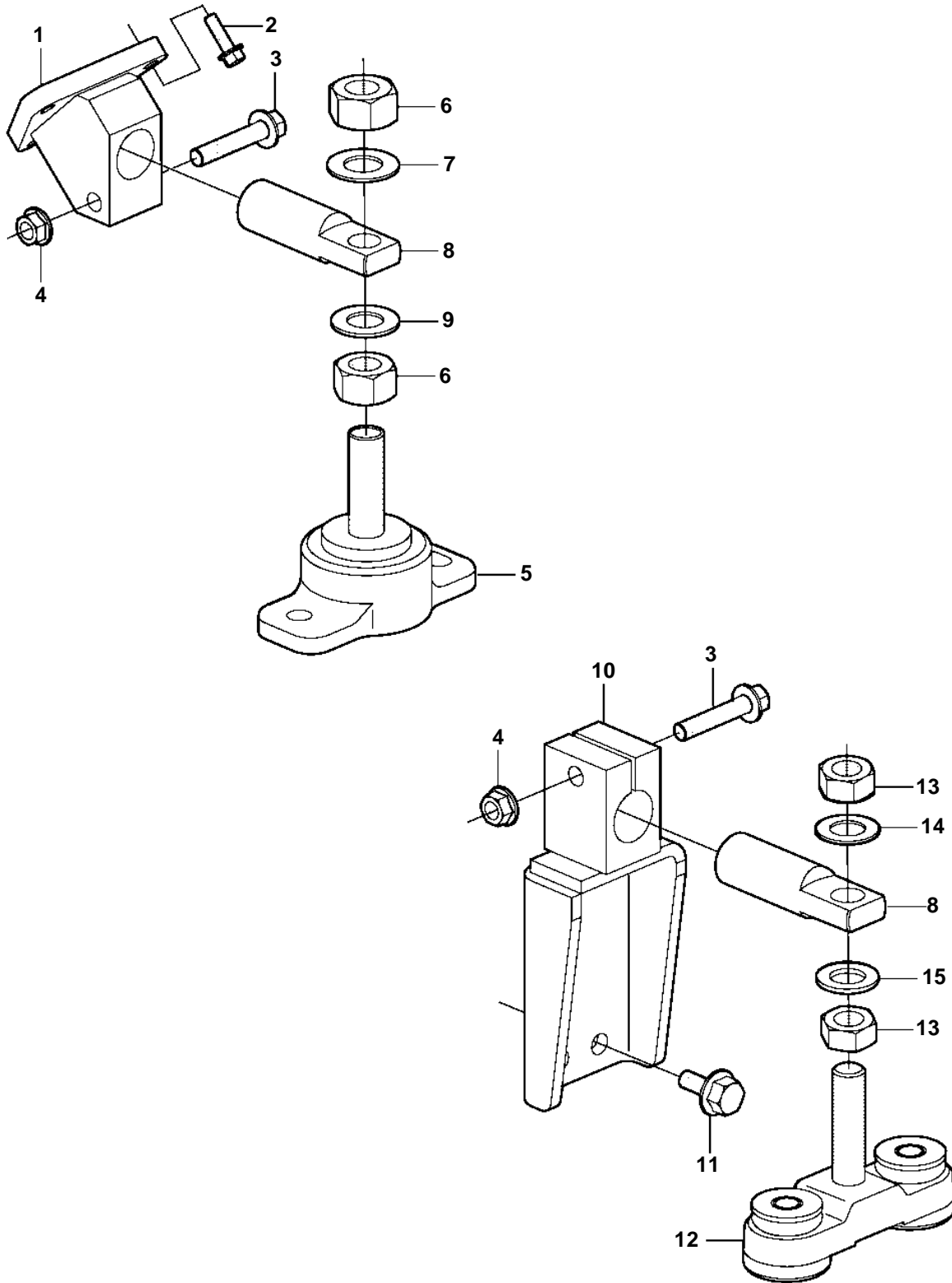


5.7GiI-A, 5.7GSiI-A, 5.7GXiI-A, 5.7GXiI-B



5.7GiI-A, 5.7GSil-A, 5.7GXil-A, 5.7GXil-B

| REF | PART NO. | QTY | DESCRIPTION |
|-----|----------|-----|------------------|
| 1 | | 2 | Engine mountings |
| 2 | 3853266 | 6 | Screw |
| 3 | 3855595 | 4 | Screw |
| 4 | 946175 | 4 | Flange nut |
| 5 | 857251 | 2 | Rubber cushion |
| 6 | 955860 | 4 | • Hexagon nut |
| 7 | 941914 | 2 | Spring washer |
| 8 | 841247 | 4 | Dowel |
| 9 | 955902 | 2 | Washer |
| 10 | 3858473 | 2 | Engine mountings |
| 11 | 965191 | 8 | Flange screw |
| 12 | 3858470 | 2 | Engine pad |
| 13 | 955860 | 4 | • Hexagon nut |
| 14 | 941914 | 2 | • Spring washer |
| 15 | 955903 | 2 | • Washer |