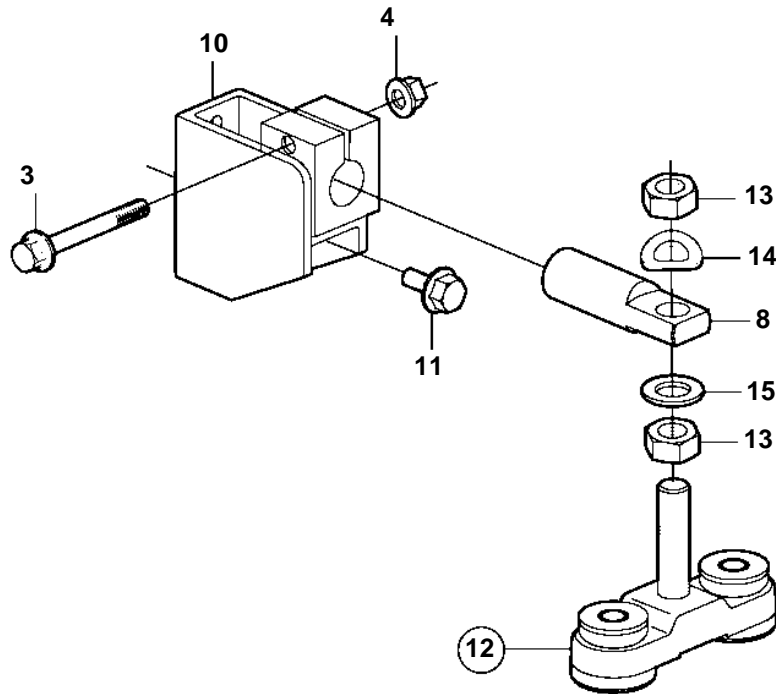
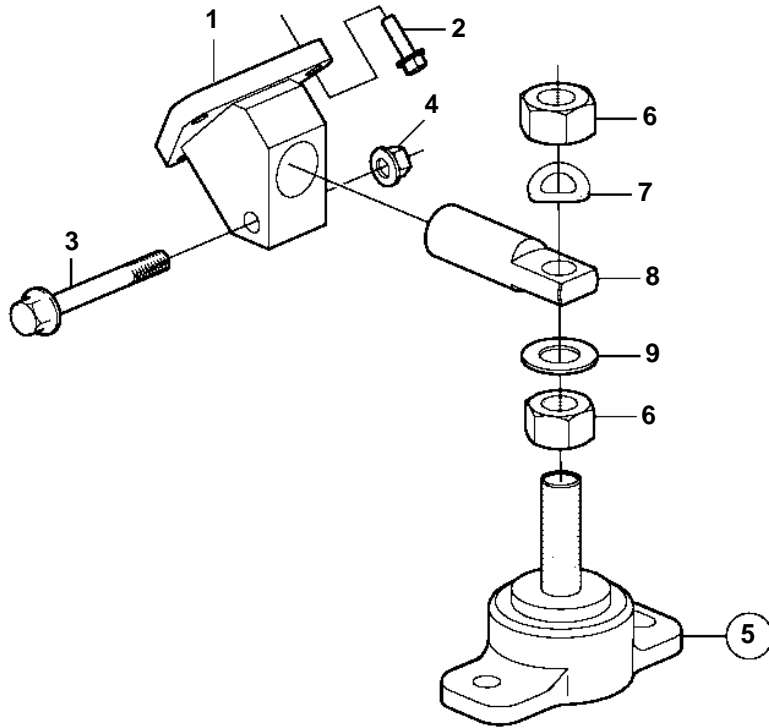


5.7GiI-A, 5.7GSiI-A, 5.7GXii-A, 5.7GXii-B



5.7GiI-A, 5.7GSil-A, 5.7GXil-A, 5.7GXil-B

| REF | PART NO. | QTY | DESCRIPTION      |
|-----|----------|-----|------------------|
| 1   |          | 2   | Engine mountings |
| 2   | 3853266  | 6   | Screw            |
| 3   | 3855595  | 4   | Screw            |
| 4   | 946175   | 4   | Flange nut       |
| 5   | 857251   | 2   | Rubber cushion   |
| 6   | 955860   | 4   | · Hexagon nut    |
| 7   | 941914   | 2   | Spring washer    |
| 8   | 841247   | 2   | Dowel            |
| 9   | 955902   | 2   | Washer           |
| 10  | 3858534  | 2   | Engine mountings |
| 11  | 3853154  | 4   | Screw            |
| 12  | 3858470  | 2   | Engine pad       |
| 13  | 955860   | 4   | · Hexagon nut    |
| 14  | 941914   | 2   | · Spring washer  |
| 15  | 955902   | 2   | · Washer         |