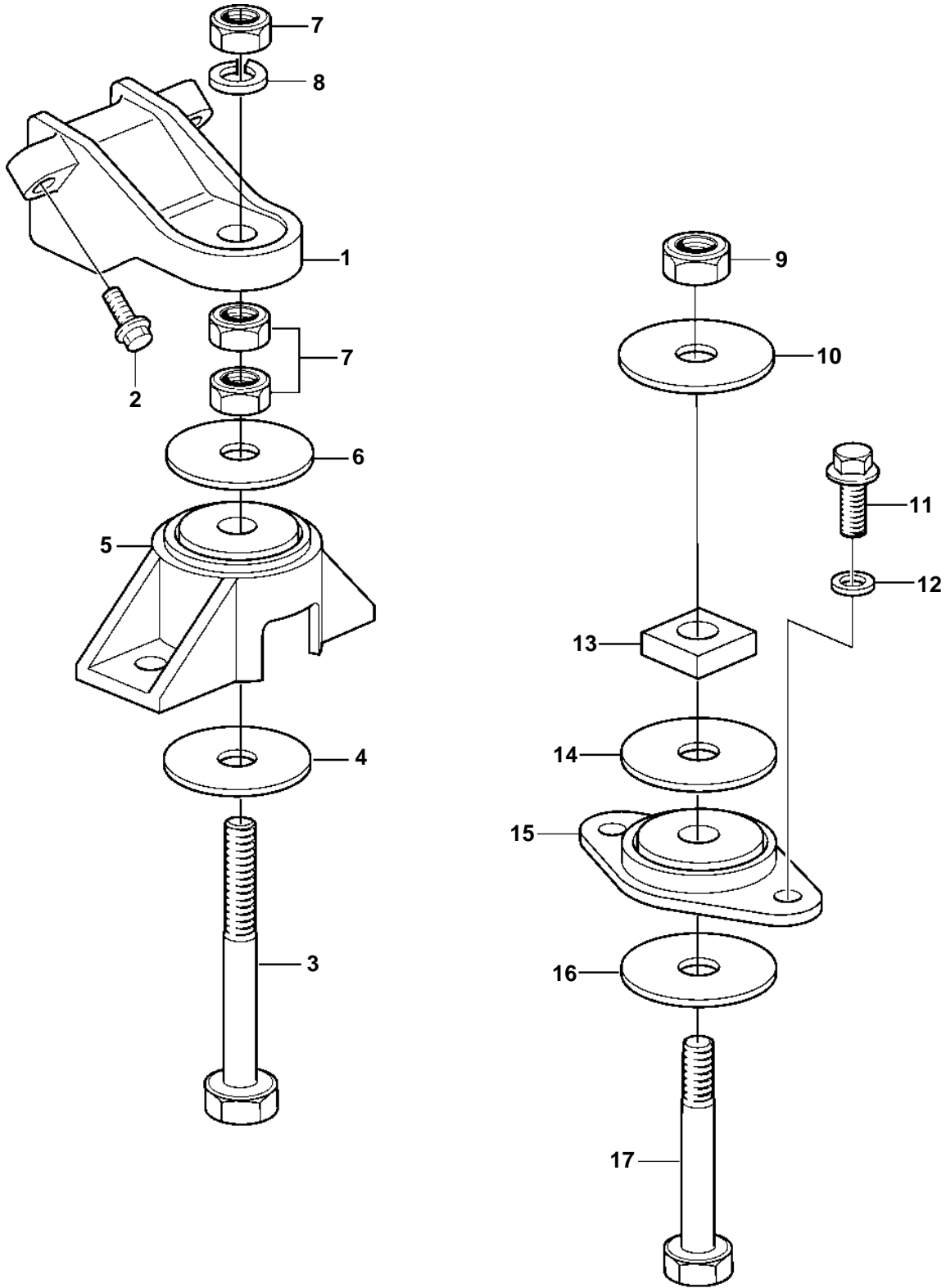


5.0GXi-A, 5.7Gi-A, 5.7GXi-A, 5.7GXi-B



5.0GXi-A, 5.7Gi-A, 5.7GXi-A, 5.7GXi-B

| REF | PART NO. | QTY | DESCRIPTION |
|-----|----------|-----|----------------|
| 1 | 3818718 | 2 | Bracket |
| 2 | 3860582 | 6 | Screw |
| 3 | 3852566 | 2 | Bolt |
| 4 | 3852428 | 2 | Washer |
| 5 | 3853805 | 2 | Rubber cushion |
| 6 | 3852433 | 2 | Washer |
| 7 | 3852021 | 6 | Nut |
| 8 | 3852090 | 2 | Spring washer |
| 9 | 3862657 | 2 | Nut |
| 10 | 3852540 | 2 | Washer |
| 11 | 959968 | 4 | Hexagon screw |
| 12 | 980933 | 4 | Washer |
| 13 | 3852539 | 2 | Square nut |
| 14 | 3852622 | 2 | Washer |
| 15 | 3853806 | 2 | Rubber cushion |
| 16 | 3852542 | 2 | Washer |
| 17 | 3587962 | 2 | Screw |