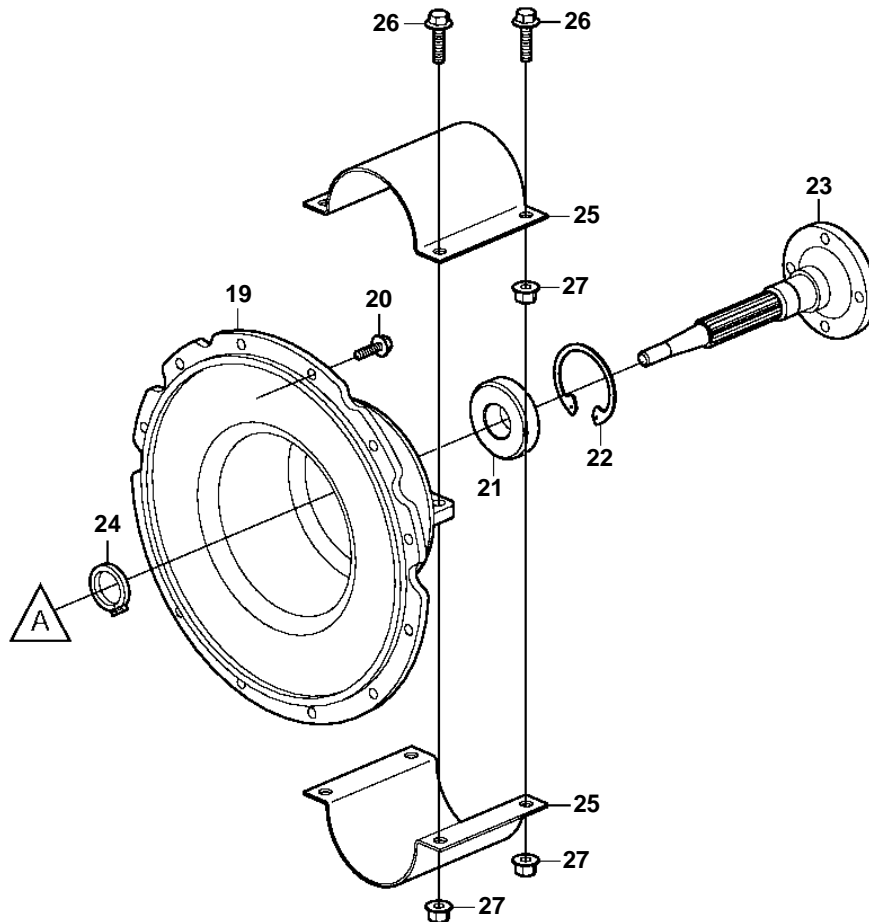
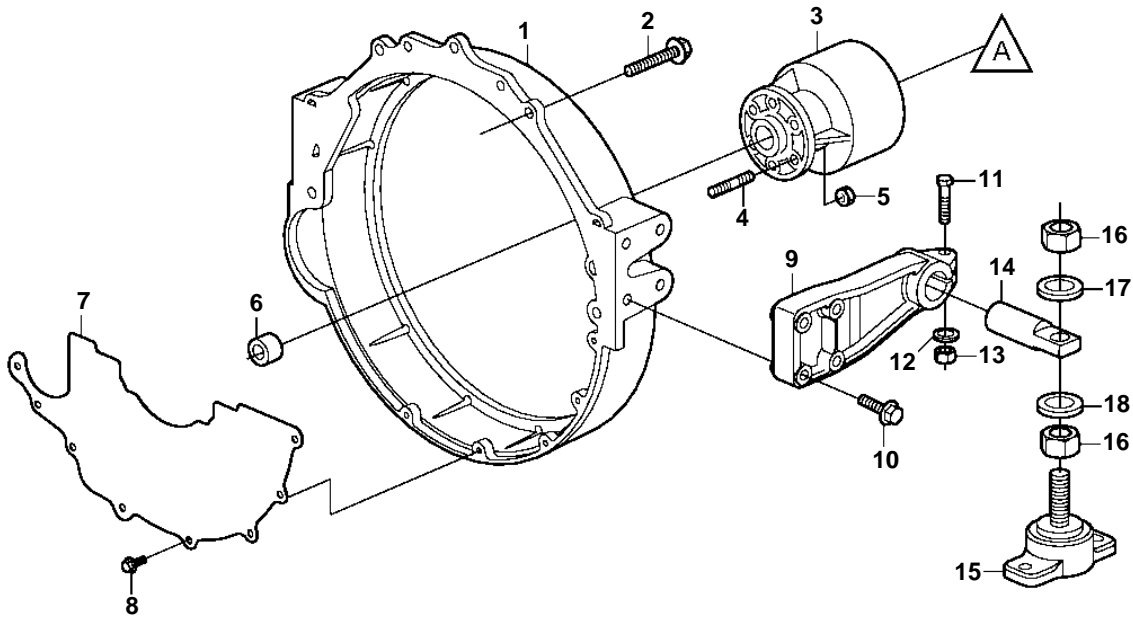


5.0GXi-A, 5.7Gi-A, 5.7GXi-A, 5.7GXi-B



18665

5.0GXi-A, 5.7Gi-A, 5.7GXi-A, 5.7GXi-B

REF	PART NO.	QTY	DESCRIPTION
1	3851722	1	Flywheel housing
2	955542	6	Hexagon screw
3	3858437	1	Rubber coupling
4	3853274	6	Stud
5	3853273	6	Nut
6	3860697	1	Bushing
7	3852833	1	Cover plate
8	3852421	6	Screw
9	3851758	2	Adapter kit
10	965187	8	Flange screw
11	955551	2	Hexagon screw
12	941909	2	Spring washer
13	950355	2	Lock nut
14	841247	2	Dowel
15	857251	2	Rubber cushion
16	955860	4	Hexagon nut
17	955902	2	Washer
18	941914	2	Spring washer
19	3851727	1	Bearing housing
20	946752	11	Flange screw
21	181877	1	Ball bearing
22	914540	1	Snap ring
23	3851724	1	Adapter kit
24	914465	1	Snap ring
25		2	Adapter kit
26	965192	4	Flange screw
27	971099	6	Flange lock nut