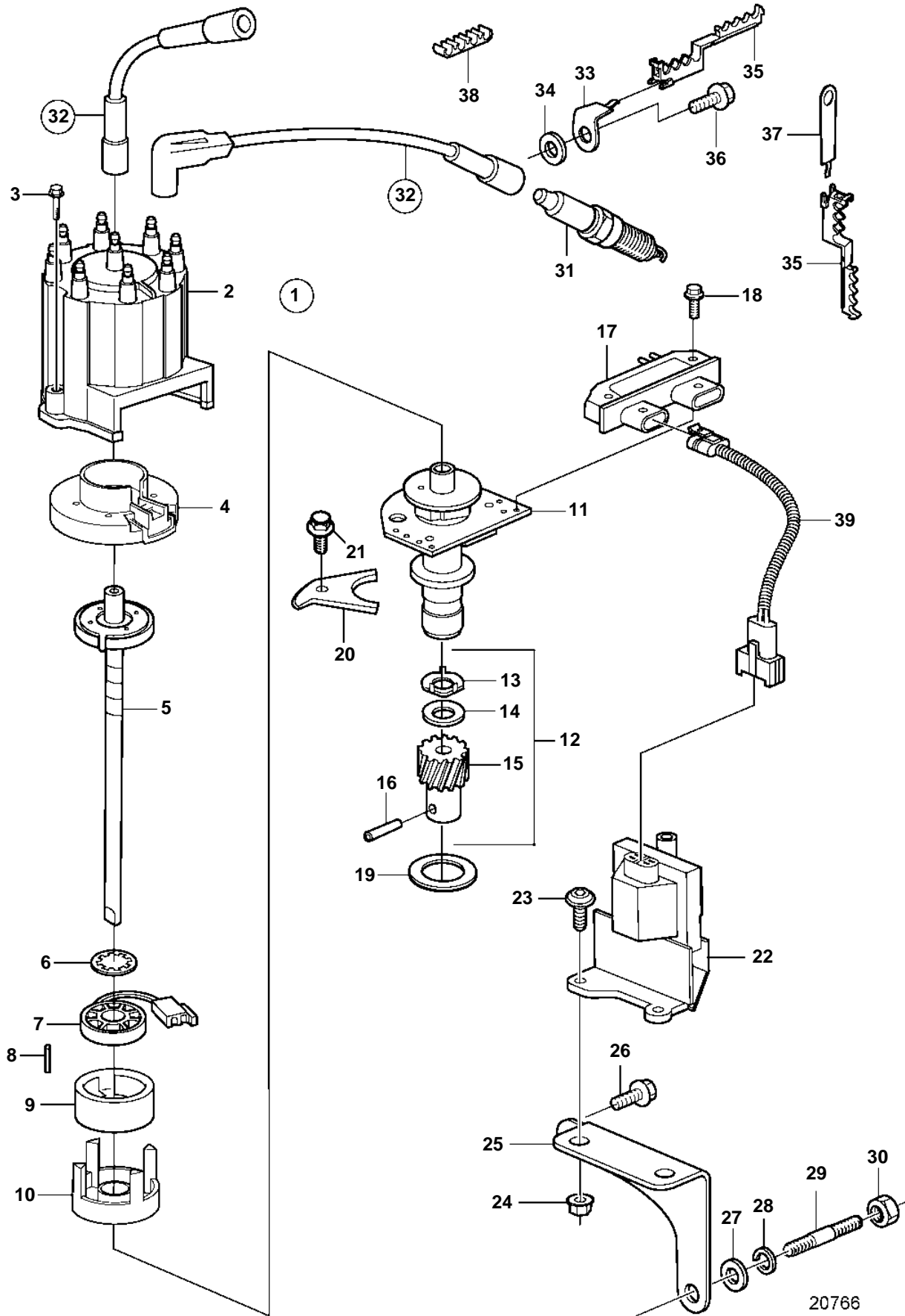


5.0GIPBYCCE, 5.7GSIPBYCCE, 5.7GSIPBYDCE



5.0GIPBYCCE, 5.7GSIPBYCCE, 5.7GSIPBYDCE

REF	PART NO.	QTY	DESCRIPTION	NOTES
1	3857449	1	Distributor	
2	3854548	1	· Distributor cap	
3	3853318	2	· Screw	
4	3862014	1	· Rotor	
5	3855596	1	· Spindle	
6	3853317	1	· Retainer	
7	3854001	1	· Coil	
8	3853316	1	· Locating pin	
9	3854552	1	· Shield	
10	3854309	1	· Pole shoe	
11		1	· Housing	not sold separately
12	3854557	1	· Repair kit	
13		1	· · Washer	not sold separately
14		1	· · Washer	not sold separately
15		1	· · Gear	not sold separately
16		1	· · Pin	not sold separately
17	3854003	1	· Module	
18	3853319	2	· Screw	
19	3852109	1	Gasket	
20	3852108	1	Clamp	
21	3853557	1	Screw	
22	3854002	1	Coil	
23	3857448	2	Screw	
24	3852051	2	Nut	
25	3850429	1	Bracket	
26	3853266	1	Screw	
27	980933	2	Washer	
28	3852002	1	Spring washer	
29		1	Stud	
30	3852065	1	Nut	
31	3851857	2	Spark plug kit	4 pack
	3851858	1	Spark plug kit	24 pack
32	3857167	1	Cable kit	
33	3856052	2	Bracket	
34	980933	1	Washer	
35	3852619	2	Retainer	
36	3853557	2	Screw	
37	3856053	2	Bracket	
38	3852491	1	Retainer	
39	3854084	1	Cable	