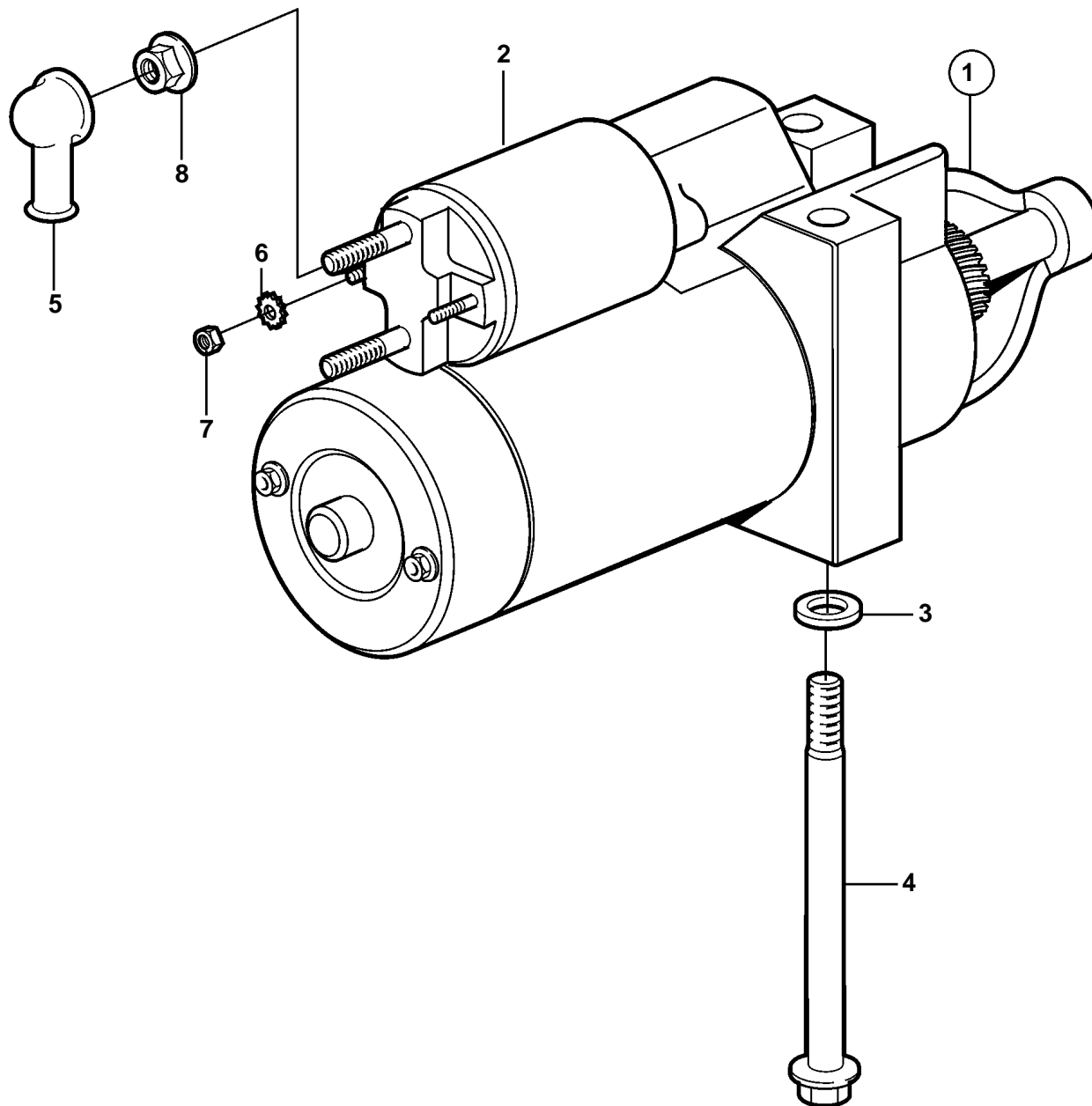


5.0GLPBYC, 5.0GIPBYCCE, 5.7GSPBYC, 5.7GSIPBYCCE, 5.7GSIPBYDCE



5.0GLPBYC, 5.0GIPBYCCE, 5.7GSPBYC, 5.7GSIPBYCCE, 5.7GSIPBYDCE

REF	PART NO.	QTY	DESCRIPTION
1	3856004	1	Starter motor, Engine
2	3850216	1	· Solenoid
3	3854496	2	· Washer
4	3854752	2	· Screw, Starter motor to engine
5	3852487	1	· Trunk, Battery cable
6	3852520	2	· Washer
7	3852518	2	· Nut, Starter solenoid
8	3853714	1	· Nut, Battery cable to starter solenoid