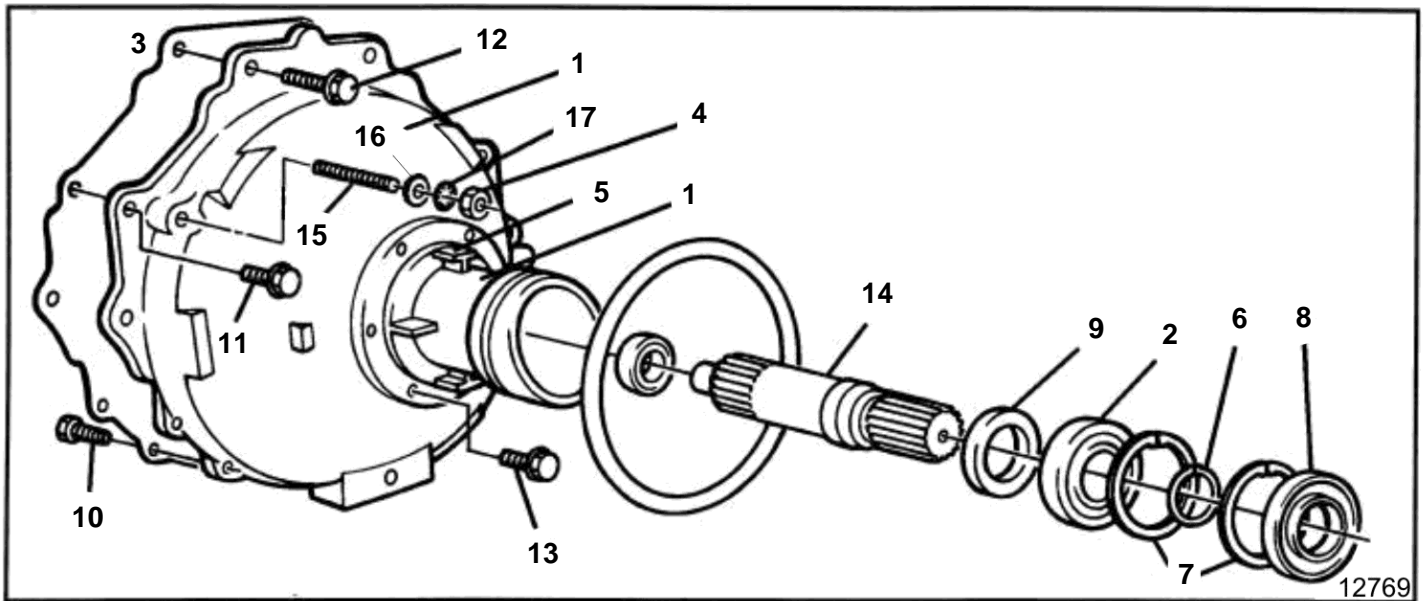


5.0FiPMDA, 5.0FiPMDM, 5.8FiPMDA, 5.8FiPMDM



**5.0FiPMDA, 5.0FiPMDM, 5.8FiPMDA, 5.8FiPMDM**

REF	PART NO.	QTY	DESCRIPTION	NOTES
1	3851963	1	Flywheel housing	Replaced by 3856698 last version
		1	Flywheel housing	
2	3851019	1	Ball bearing, Primary shaft	
3	3853003	1	Cardboard tube	
4	3852065	2	Nut, Ground stud, flywheel hsg	
5	804262	1	Plug, Bearing Housing	
6	914462	1	Snap ring, Primary shaft	
7	914533	2	Snap ring, Primary shaft	
8	958859	1	Sealing ring, Primary shaft	
9	958860	1	Sealing ring, Primary shaft	
10	3853398	2	Screw, Flywheel cover	
11	3853558	2	Screw, Flywheel hsg to engine	
12	3853626	2	Screw, Flywheel hsg to engine	
13	191844	6	Hexagon screw	
14	873013	1	Primary shaft	
15	3852754	2	Stud, Flywheel hsg to engine ground	
16	3852058	2	Washer, Ground stud	
17	3852002	2	Spring washer, Ground stud	