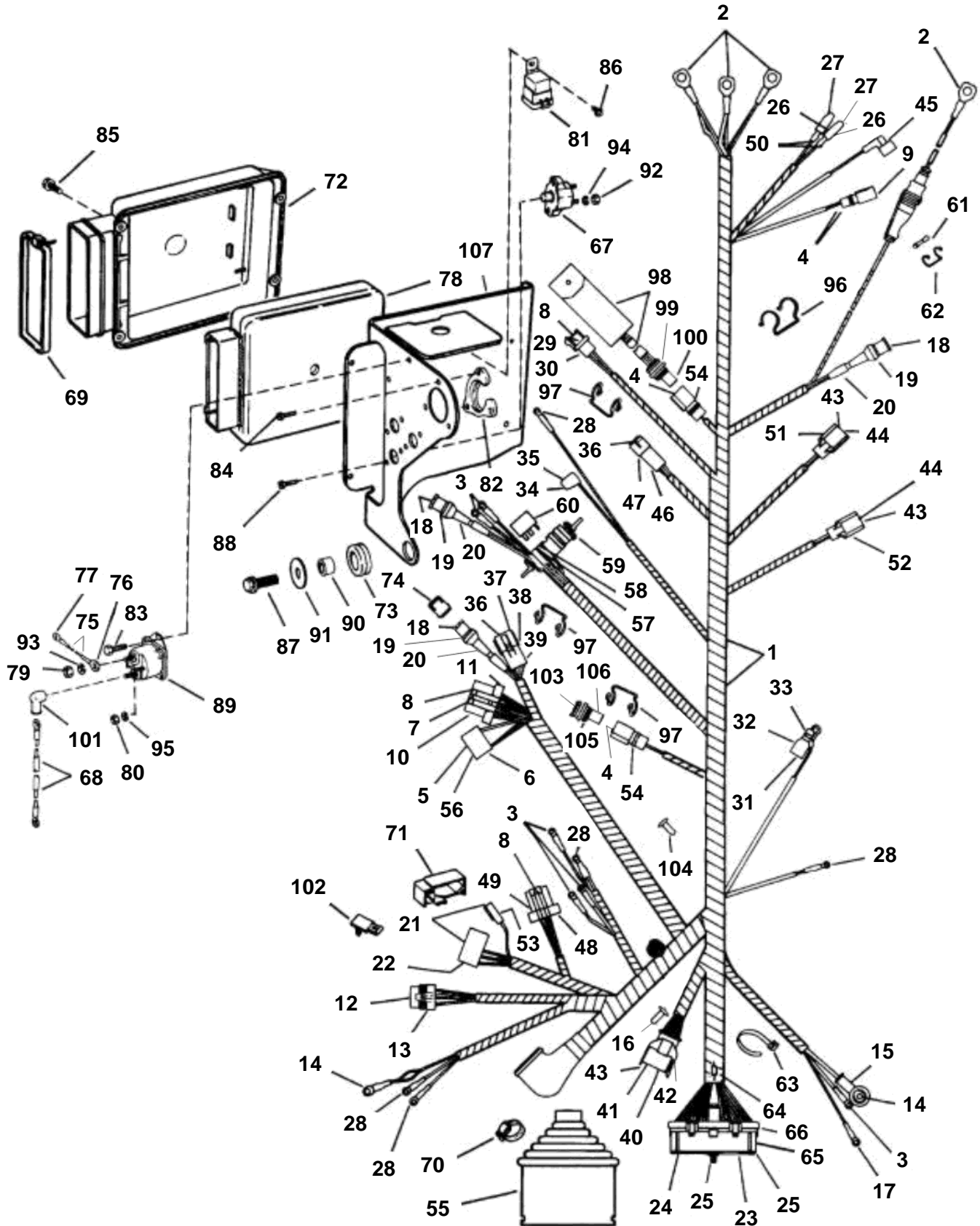


5.0FiPMDA, 5.0FiPMDM, 5.8FiPMDA, 5.8FiPMDM



12568

5.0FiPMDA, 5.0FiPMDM, 5.8FiPMDA, 5.8FiPMDM

REF	PART NO.	QTY	DESCRIPTION
1		1	Wiring harness, Engine
2	3852527	4	• Terminal
3		7	• Terminal
4	3852229	10	• Terminal, Pin
5		1	• Terminal, E-coil
6		1	• Connector, E-coil
7		2	• Terminal, Ignition module
8		9	• Terminal
9	3853565	1	• Connector, Trim sender
10		1	• Retainer, Ignition module
11	3853678	1	• Connector, Ignition module
12	3852254	4	• Terminal, Relay
13	3854192	1	• Relay
14	3852107	2	• Terminal
15	3852130	1	• Rubber cap, Alternator
16	3852230	3	• Plug
17	3852036	1	• Terminal, Alternator ground
18	3853679	6	• Terminal
19	3852260	3	• Connector
20	3853681	3	• Trunk
21		5	• Terminal, Self test
22		1	• Cable terminal, Test output
23	3853533	12	• Terminal
24		15	• Terminal
25		1	• Retainer, ECA module
26	3852244	2	• Terminal, Water flow
27		2	• Cardboard tube, Water flow
28	3852233	5	• Terminal, Ring
29		1	• Retainer, Bypass solenoid
30	3853690	1	• Connector, Bypass solenoid
31	3853479	1	• Terminal, Temperature switch
32	3853478	1	• Sealing, Temperature switch
33	3853480	1	• Terminal casing, Temperature switch
34	3852084	1	• Terminal, Oil switch
35	3853320	1	• Cardboard tube, Oil switch
36	3853691	6	• Terminal
37		3	• Terminal, Distributor
38	3853693	1	• Retainer, Distributor
39		1	• Connector, Distributor
40	3853695	1	• Terminal, Fuel injector
41		1	• Retainer, Fuel injector
42	3853697	1	• Connector, Fuel injector
43	3853698	12	• Terminal
44		2	• Retainer
45	3853995	1	• Connector, Knock sensor
46	3853700	1	• Retainer, Throttle position
47	3853701	1	• Connector, Throttle position
48		1	• Retainer, MAP sensor
49		1	• Connector, MAP sensor
50	3852248	2	• Cable sleeve, Water flow
51		1	• Connector, Air charge
52		1	• Housing, Engine coolant
53		1	• Connector, Test input
54		2	• Pin connector, 4 pin
55	3853706	1	• Receptacle, ECA module
56		1	• Terminal, E- coil
57	3852246	3	• Terminal, Fuel pump
58	3852247	1	• Terminal, Fuel pump
59	3852210	1	• Bracket, Fuel pump
60	3852259	1	• Relay, Fuel pump
61	3850985	1	• Fuse
62	3852499	1	• Retainer, Fuse
63		1	• Cable tie, ECA boot

5.0FiPMDA, 5.0FiPMDM, 5.8FiPMDA, 5.8FiPMDM

REF	PART NO.	QTY	DESCRIPTION
64	3852258	3	• Kit
65		1	• Connector, ECA
66	3853569	1	Bracket, Electrical components
67	3854162	1	Automatic fuse, 12 1/2 Amp
	3854164	1	Automatic fuse, 50 amp
	3854186	1	Automatic fuse, 60 Amp
68		1	Cable, Solenoid to solenoid
69		1	Strap, ECA module
70	3853786	1	Hose clamp, Instrument cable
71		1	Cardboard tube, Self test output
72	3854189	1	Cardboard tube, ECA module
73	3852195	3	Grommet, Electrical bracket
74	3853643	1	Bridge connector, Timing test lead
75		2	Cable, Solenoid to breaker
76	3852037	1	• Terminal
77	3852245	1	• Terminal
78	3854228	1	Module, ECA, 5.0Fi
	3854537	1	Control unit, ECA, 5.0Fi
	3854229	1	Module, ECA, 5.8Fi
	3854538	1	Control unit, ECA, 5.8Fi
79	3852042	2	Nut, Assist solenoid
80	3852064	2	Nut, Assist solenoid
81	3854138	1	Relay, Engine control
82	3852825	1	Retainer, Engine cable
83	3852194	2	Screw, Start assist solenoid
84	3852208	3	Screw, Retainer
85	3852208	4	Screw, ECA cover
86	3852212	1	Screw, ECA relay
87	3852454	3	Screw, Electrical bracket
88	3853620	6	Hexagon screw, Circuit breaker
89	3853839	1	Solenoid, Starter
90	3853617	3	Bushing, Bushing
91	3852136	3	Washer, Electrical bracket
92	3852064	6	Nut, Circuit breaker
93	3852055	2	Spring washer, Assist solenoid
94	3852001	6	Spring washer, Circuit breaker
95	3852001	4	Spring washer, Assist solenoid
96	3852237	1	Retainer, Trim cable
97	3852238	2	Retainer
98	3854216	1	Module, Knock
99	3852241	1	• Connector, 4 socket
100	3852257	4	• Terminal, Socket
101	3852487	2	Trunk, Cable
102		1	Clip, Self test cover
103	3852411	1	Connector
104	3852230	2	• Plug, Connector seal
105	3852241	1	• Connector, 4 socket
106	3852257	1	• Terminal, Socket
107	3853569	1	Bracket