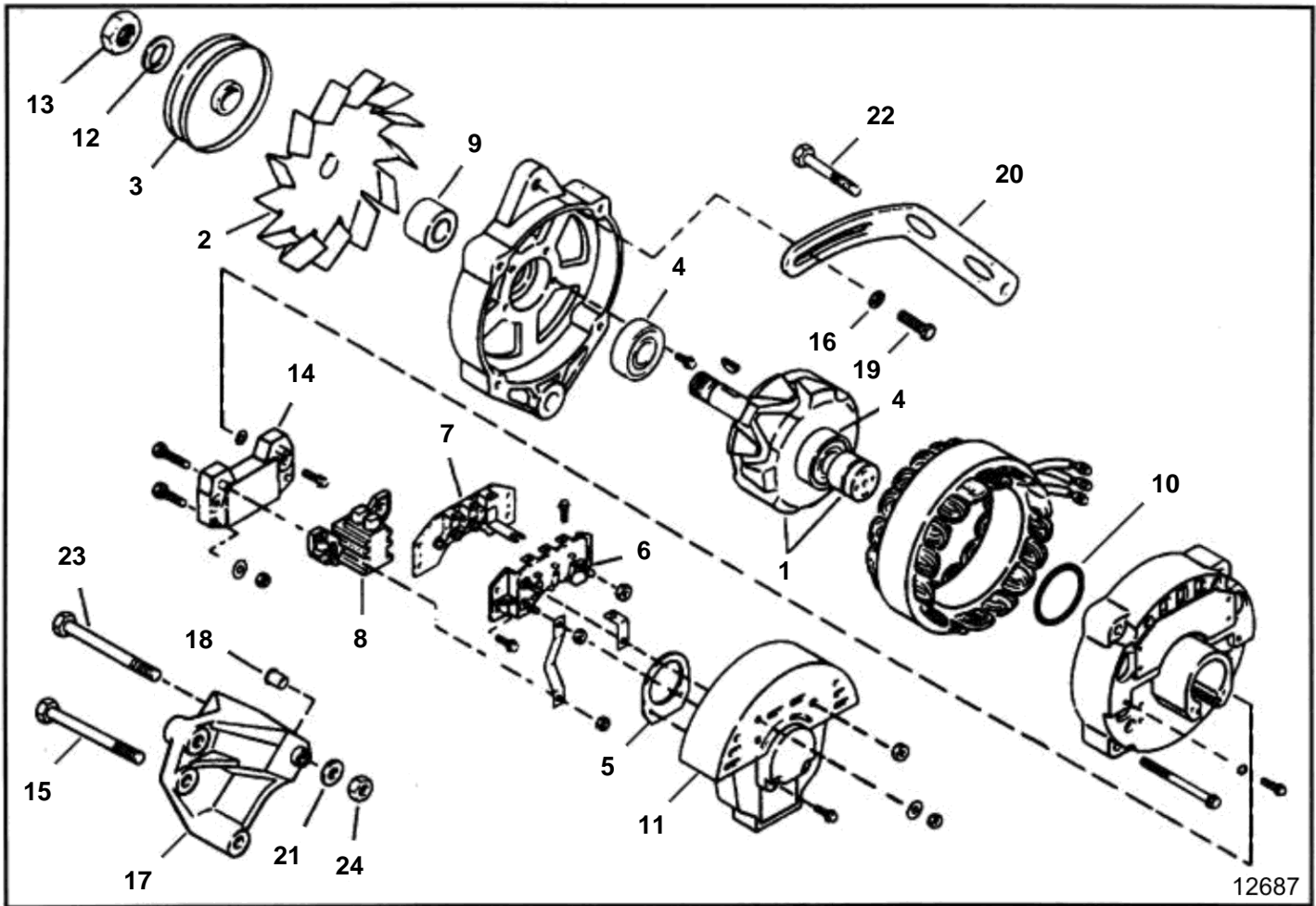


5.0FiPMDA, 5.0FiPMDM, 5.8FiPMDA, 5.8FiPMDM



5.0FiPMDA, 5.0FiPMDM, 5.8FiPMDA, 5.8FiPMDM

REF	PART NO.	QTY	DESCRIPTION	NOTES
1	3854182	1	Alternator	Un-numbered parts serviced at assembly level only
		1	· Rotor	
2	3853756	1	· Fan	
3	3853755	1	· Pulley	
4	3852643	2	· Bearing, Front & rear	
5	3852642	1	· Retainer, Rear bearing	
6		1	· Diode	
7		1	· Rectifier	
8	3853835	1	· Brush	
9	3852639	1	· Spacer, Fan	
10	3852637	1	· Gasket	
11	3853834	1	· Cardboard tube	
12	3852625	1	· Washer, Pulley	
13	3852630	1	· Nut, Pulley	
14	3853833	1	· Governor, Voltage	
15	3853395	2	Screw, Alternator bracket to engine	
16	3852054	1	Washer, Brace to alternator	
17	3854183	1	Bracket, Alternator to water pump	
18	3852740	1	· Bushing, Alternator	
19	3853399	1	Screw, Brace to alternator	
20	3852703	1	Brace, Alternator	
21	3852058	1	Washer, Alternator to bracket	Rear
22	3853557	1	Screw, Alternator brace to water pump	
23	3853367	1	Screw, Alternator to bracket	Power steering
24	3852051	1	Nut, Alternator to bracket	