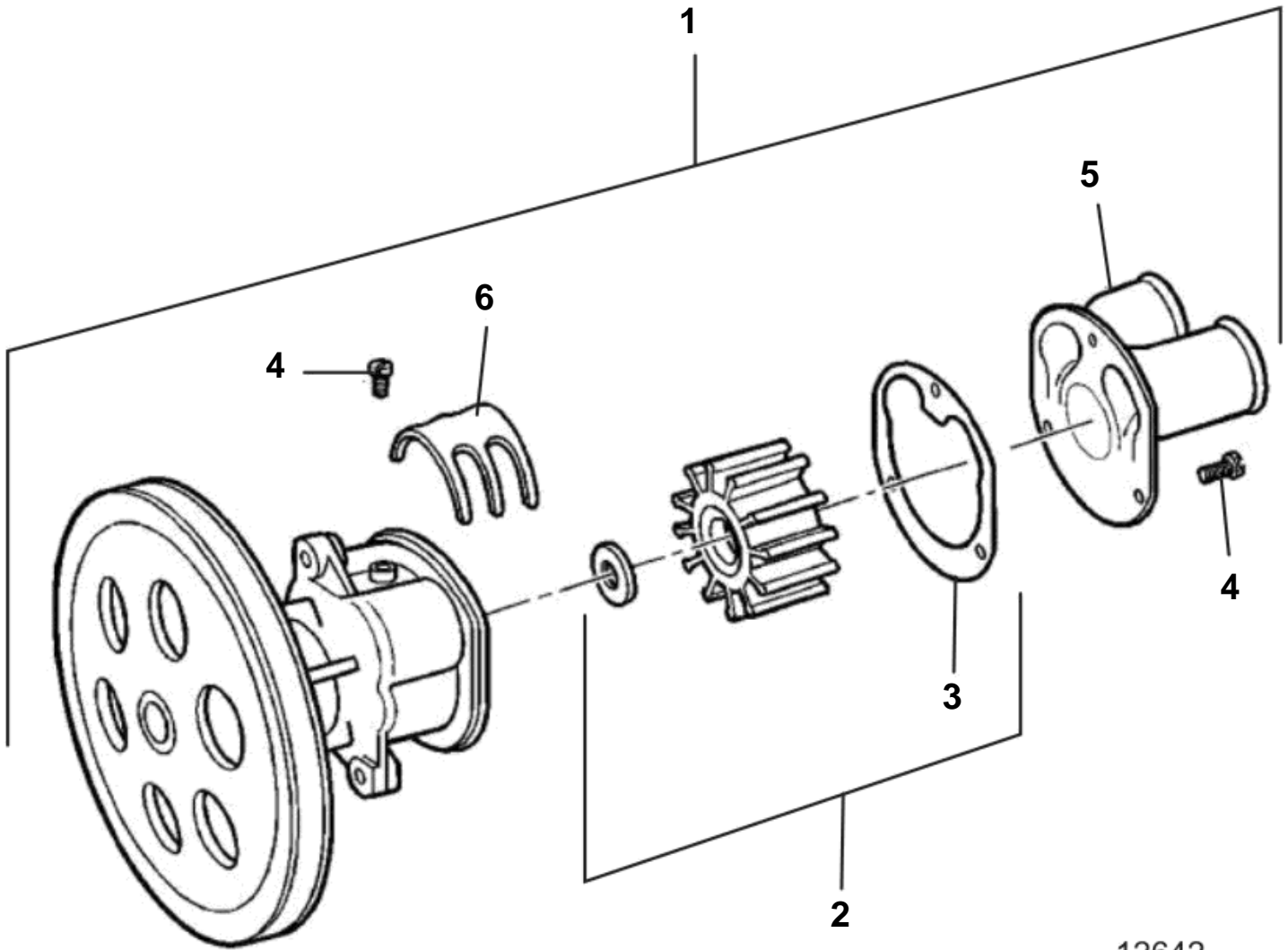


5.0FiPMDA, 5.0FiPMDM, 5.8FiPMDA, 5.8FiPMDM



12642

5.0FiPMDA, 5.0FiPMDM, 5.8FiPMDA, 5.8FiPMDM

REF	PART NO.	QTY	DESCRIPTION	SEE SEC.	NOTES
1	3851623	1	Sea water pump		
2	3855546	1	• Repair kit		
			• Bulletin P-26-6-2	P-26-6-2-EN	Impeller kits, Gas, to 2005
3	3851702	1	• • Gasket, Plate to body		
4	841693	4	• Screw		
5	3851697	1	• End cover		
6	3851698	1	• Cam, Impeller		