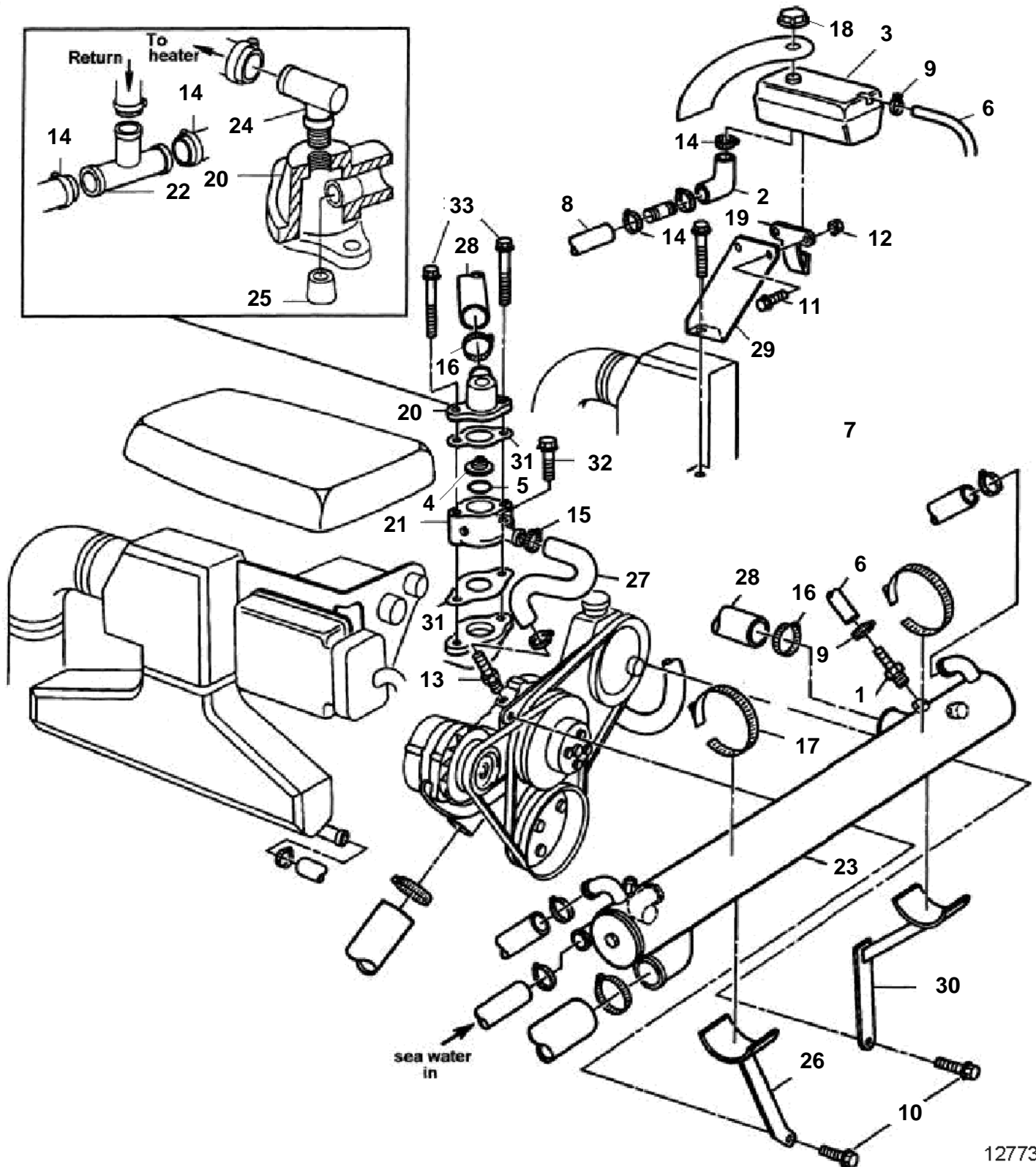


5.0FiPMDA, 5.0FiPMDM, 5.8FiPMDA, 5.8FiPMDM



5.0FiPMDA, 5.0FiPMDM, 5.8FiPMDA, 5.8FiPMDM

REF	PART NO.	QTY	DESCRIPTION	NOTES
1		1	Heat exchanger	5.0 FL, Fi 15.8 FL, Fi, FSi
	180254	1	· Elbow nipple	
2	857500	1	· Hose	
3	861105	1	· Expansion tank	
4	875788	1	· Thermostat kit	
5	416033	1	· · Sealing ring	
6	942700	1	· Hose	
7	943367	1	· Rubber hose	L=250mm, Not shown
8	943369	1	· Rubber hose	L=15000mm
9	945652	2	· Hose clamp	
10	945767	2	· Flange screw	
11	946173	2	· Flange screw	
12	948645	2	· Flange lock nut	
13	961659	1	· Hose nipple	
14	961666	12	· Hose clamp	
15	961667	2	· Hose clamp	
16	961670	2	· Hose clamp	
17	961674	2	· Hose clamp	
18	1357775	1	· Pressure cap	
19	3851363	1	· Bracket	
20	3851383	1	· Thermostat housing	
	968147	1	· · Plug	
21	3851384	1	· Thermostat housing	
	479977	1	· · Plug	
	968145	1	· · Plug	
22	3851414	1	· Connection pipe	
23	3851617	1	· Heat exchanger	
	192134	1	· · Plug	
	841068	2	· · Bolt	
		2	· · Cover	
	3851619	2	· · Gasket	
	3851598	1	· Fitting	Not shown
24	961611	1	· Hose nipple	
25	3851385	1	· Plug	
26	3851682	1	· Bracket	
27	3851760	1	· Hose	
28	3851761	1	· Hose	
29		1	· Bracket	
30		1	· Bracket, Fi	
	3851934	1	· Bracket, FL	
31	3852111	2	· Gasket	
32	3853391	1	· Screw	
33	3853401	2	· Screw	
	961663	2	· Hose clamp	See no. 20, FWC installation instructions (PIN 7736035)
	961669	1	· Hose clamp	See no. 20, FWC installation instructions (PIN 7736035)
	3853598	1	· Elbow	See no. 20, FWC installation instructions (PIN 7736035)