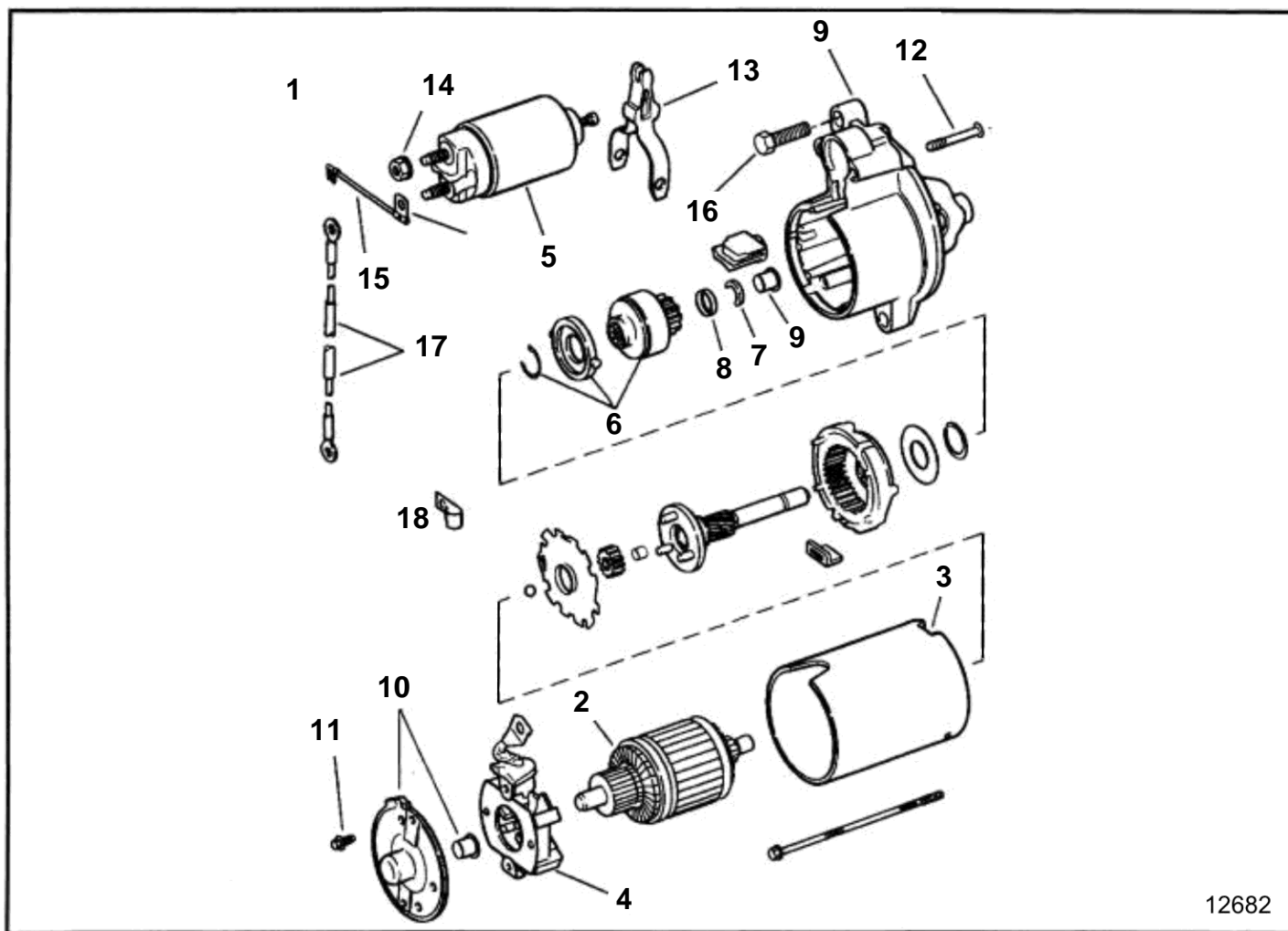


5.0FLPMDA, 5.8FLPMDA



5.0FLPMDA, 5.8FLPMDA

REF	PART NO.	QTY	DESCRIPTION	NOTES
1	3854190	1	Starter motor	Not shown
2		1	· Rotor	
3	3854200	1	· Housing	
4		1	· Carbon brush retaine	
5	3854194	1	· Solenoid	
6		1	· Starter pinion	
7		1	· · Retainer, drive stop ring	not sold separately
8		1	· · Ring, drive stop	not sold separately
9		1	· Housing, bearing, drive end	
		1	· · Bearing, drive end	Not shown
10		1	· Plate	
		1	· · Bearing, plate	Not shown
11		1	· Screw kit, Hardware	Not shown
		2	· · Screw, brush assembly	
12		2	· · Screw, Solenoid	
13		1	· Intermediate lever	
14	3853714	2	· Nut, Solenoid	
15		1	Cable, Solenoid to solenoid	
16	3853326	2	Screw, Starter to housing	
17		1	Cable, Solenoid to solenoid	
18		1	Clamp	Part not sold