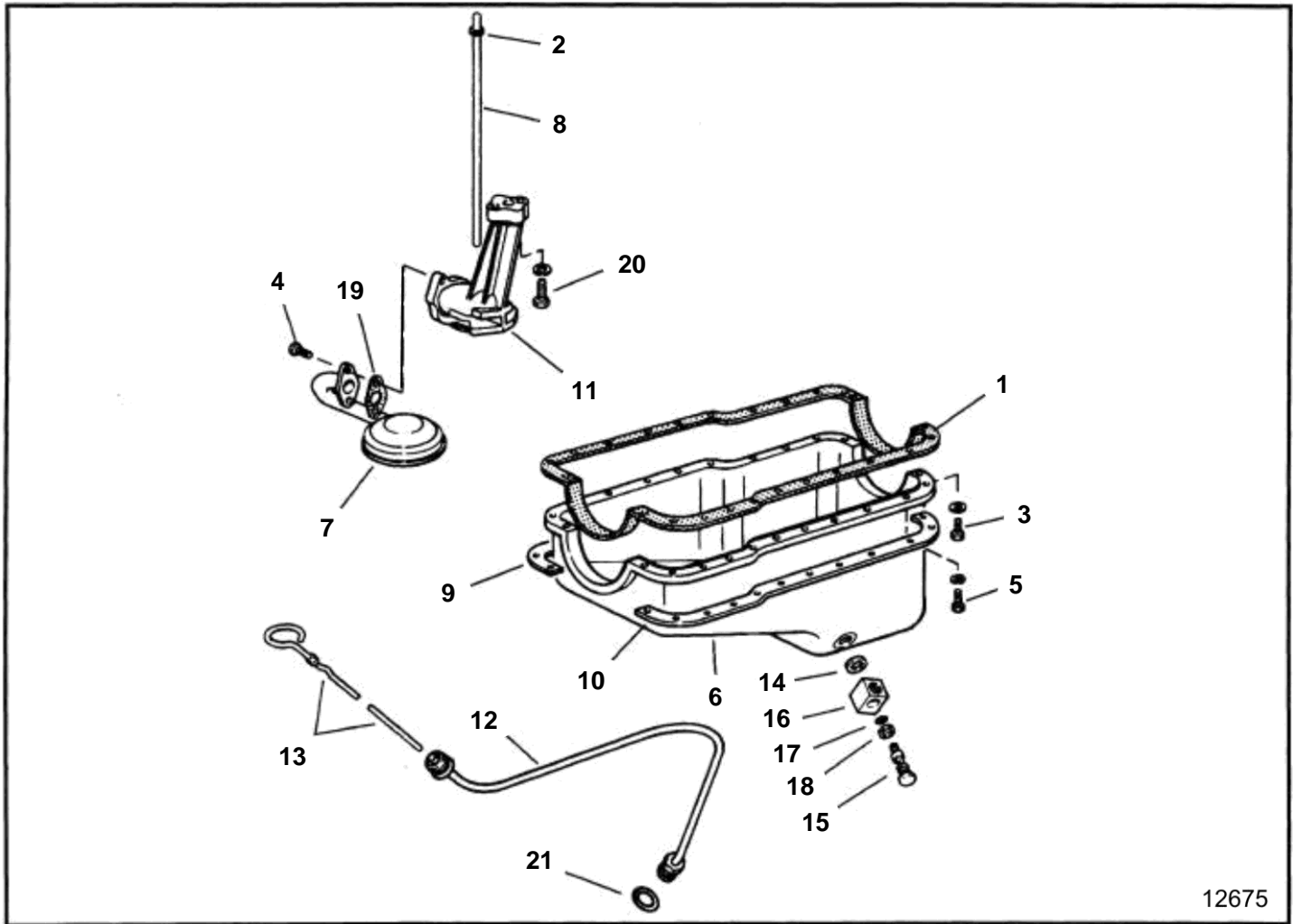


5.0FIPNCACE, 5.0FIPNCBCE, 5.0FIPNCMCE, 5.0FIPNCSCE, 5.0FLPNCA, 5.0FLPNCB, 5.0FLPNCM, 5.0FLPNCS



5.0FIPNCACE, 5.0FIPNCBCE, 5.0FIPNCMCE, 5.0FIPNCSCE, 5.0FLPNCA, 5.0FLPNCB, 5.0FLPNCM, 5.0FLPNCS

REF	PART NO.	QTY	DESCRIPTION	NOTES
1	3852822	1	Gasket, Oil pan	
2	3853070	1	Retainer, Oil pump shaft	
3	3853006	4	Screw, Oil pan	
4	3853032	2	Screw, Pickup tube	
5	3853033	18	Screw, Oil pan	
6	3853797	1	Oil pan	
7	3853069	1	Oil pump screen, Oil pump	
8	3853068	1	Shaft, Oil pump	
9	3853071	1	Reinforcement, Oil pan, starboard	
10	3853072	1	Reinforcement, Oil pan, port	
11	3853909	1	Oil pump	
12	3854145	1	Pipe, Oil level gage	
13	3850474	1	Oil dipstick	
14	3851981	1	Sealing washer, Fitting	
15	3852694	1	Hollow screw	½-20 UNF
	3852609	1	Hollow screw	14mm
16	3855112	1	Fitting, Oil pan drain	
17	3853674	1	O-ring, Retainer, oil pan drain	
18	3852007	1	Washer, Retainer, oil pan drain	
19	3853267	1	Gasket, Screen to oil pump	
20	3852788	2	Screw, Oil pump to block	
21	3852033	1	O-ring, Oil gage tube to fitting	