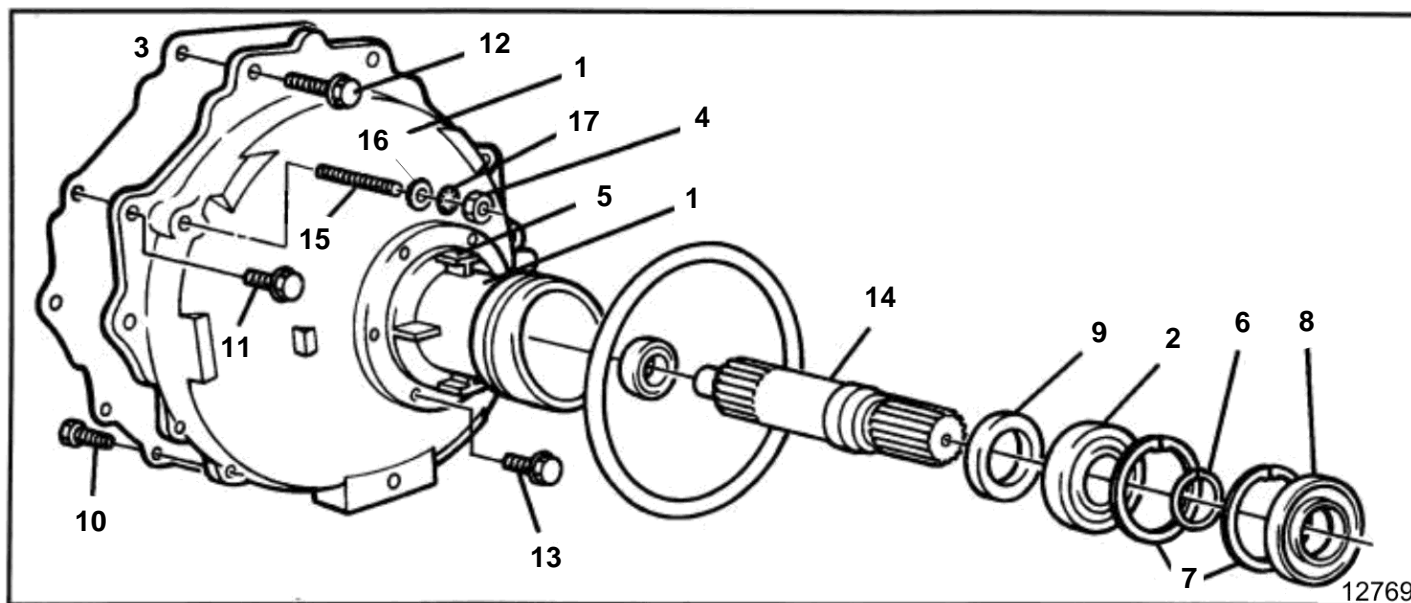


5.0FIPNCBCE, 5.0FIPNCMCE, 5.0FLPNCB, 5.0FLPNCM



5.0FIPNCBCE, 5.0FIPNCMCE, 5.0FLPNCB, 5.0FLPNCM

| REF | PART NO. | QTY | DESCRIPTION | NOTES |
|-----|----------|-----|--------------------------------------|-------------------------------------|
| 1 | 3851963 | 1 | Flywheel housing | Replaced by 3856698 last version |
| | 3856698 | 1 | Flywheel housing | |
| 2 | 3851019 | 1 | Ball bearing, Primary shaft | |
| 3 | 3853003 | 1 | Cover | |
| 4 | 3852065 | 2 | Nut, Ground stud, flywheel hsg | |
| 5 | 804262 | 1 | Plug, Bearing Housing | |
| 6 | 914462 | 1 | Lock ring, Primary shaft | |
| 7 | 914533 | 2 | Snap ring, Primary shaft | |
| 8 | 958859 | 1 | Sealing ring, Primary shaft | |
| 9 | 958860 | 1 | Sealing ring, Primary shaft | |
| 10 | 3853398 | 2 | Screw, Flywheel cover | |
| 11 | 3853558 | 2 | Flange screw, Flywheel hsg to engine | |
| 12 | 3853626 | 2 | Screw, Flywheel hsg to engine | |
| 13 | 191844 | 6 | Screw | |
| 14 | 873013 | 1 | Primary shaft | |
| 15 | 3852754 | 2 | Stud, Flywheel hsg to engine ground | |
| 16 | 3852058 | 2 | Washer, Ground stud | |
| 17 | 3852002 | 2 | Lock washer, Ground stud | |