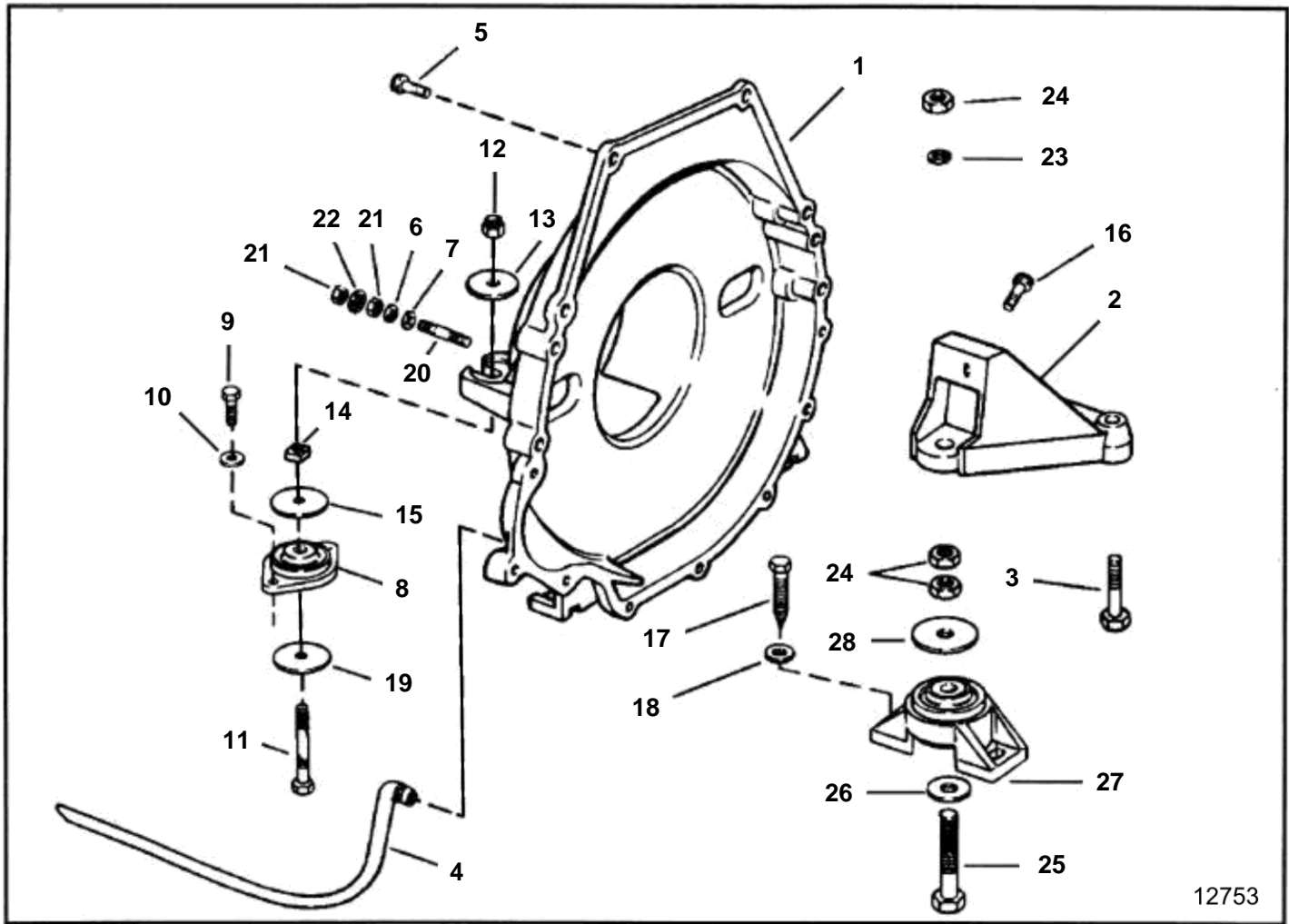


5.0FIPNCACE, 5.0FIPNCSCCE, 5.0FLPNCA, 5.0FLPNCS



5.0FIPNACE, 5.0FIPNCSCE, 5.0FLPNCA, 5.0FLPNCS

REF	PART NO.	QTY	DESCRIPTION	NOTES
1	3853408	1	Flywheel housing	
2	3853724	2	Bracket, Front mount to engine block	
3	3853626	4	Screw, Front mount brkt to engine block	
4	3852832	1	Hose, Flywheel housing	
5	3853626	2	Screw, Reservoir & flywheel hsg to engine	Fi
	3853558	2	Flange screw, Flywheel hsg to engine	Fi
	3853558	4	Flange screw, Flywheel hsg to lower engine	FL
6	3852002	2	Lock washer, Flywheel housing	
7	3852058	2	Washer, Ground strap, flywheel housing	
8	3853806	2	Rubber cushion	
9	3852085	4	Screw, Rear mount to plate	
10	3852155	4	Washer, Rear mount to plate	
11	3850930	2	Screw, Rear mount	
12	3850929	2	Nut, Engine mounting	
13	3852540	2	Washer, Rear mount to flywheel housing	
14	3852539	2	Nut, Rear mount	
15	3852622	2	Washer, Rear mount	
16	3852701	2	Screw, Front mount bracket steady rest	
17	3852475	4	Screw, Engine to boat stringers	
18	3852078	4	Washer, Engine to boat stringers	
19	3852542	2	Washer, Mount	
20	3852754	2	Stud, Flywheel hsg to engine, ground	
21	3852065	2	Nut, Ground stud, flywheel housing	
22	3852070	2	Washer, Ground screw, flywheel hsg	
23	3852090	2	Lock washer, Front mount, engine	
24	3852021	6	Nut, Bolt, mount bracket	Front
25	3852566	2	Screw, Engine mount, front	
26	3852428	2	Washer, Front mount, lower	
27	3853805	2	Rubber cushion, Engine front, port & stbd	
28	3852433	2	Washer, Front mount, upper	