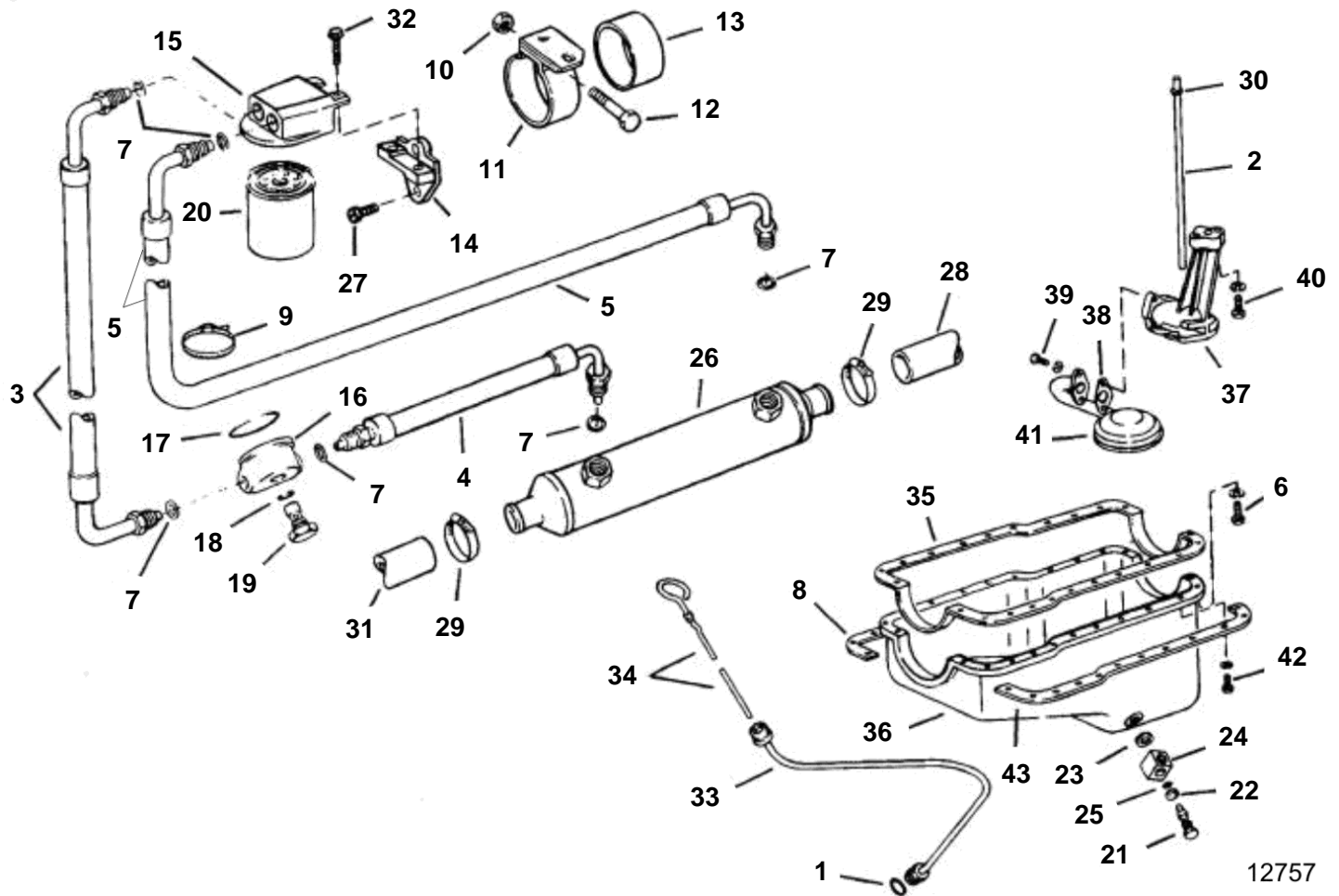


5.8FSIPHUBCE, 5.8FSIPHUCCE, 5.8FSIPHUECE, 5.8FSIPHURCE, 5.8FSIPHUSCE



12757

5.8FSIPHUBCE, 5.8FSIPHUCCE, 5.8FSIPHUECE, 5.8FSIPHURCE, 5.8FSIPHUSCE

REF	PART NO.	QTY	DESCRIPTION
1	3852033	1	O-ring, Oil drain tube
2	3853105	1	Shaft, Oil pump
3	3854419	1	Hose, Adapter to filter
4	3854418	1	Hose, Adapter to cooler
5	3854417	1	Hose, Filter to cooler
6	3853006	4	Screw, Oil pan
7	3850819	6	O-ring, Oil hose
8	3853106	1	Reinforcement, Oil pan, stbd
9		1	Cable fixing clamp, Oil lines
10	3852079	1	Nut, Oil cooler bracket
11		1	Clamp, Oil cooler
12	3852126	1	Screw, Oil cooler
13	3853236	1	Spacer, Oil cooler
14	3854413	1	Bracket, Oil filter
15	3854592	1	Oil filter housing, Oil filter
16		1	Adapter, Engine oil
17	3854416	1	O-ring
18	3852089	1	O-ring, Retainer to adapter
19	3854415	1	Retainer, Adapter
20	835779	1	Oil
21	3852609	1	Retainer, Oil drain
22	3852007	1	Washer, Retainer
23	3853725	1	Washer, Fitting
24	3853664	1	Fitting, Oil drain
25	3853674	1	O-ring, Oil drain
26	3853969	1	Oil cooler
27	3853266	2	Screw, Bracket to elbow
28	3850907	1	Hose, Oil cooler to oil cooler
29	3852602	3	Hose clamp, Hose
30	3853005	1	Retainer, Oil pump shaft
31		1	Hose, Cooler to thermostat
32	3853266	2	Screw, Adapter to bracket
33	3854170	1	Tube, Oil drain
34	3850473	1	Gauge
35	3852823	1	Gasket, Oil pan
36		1	Sump
37	3853908	1	Pump
38	3853267	1	Gasket, Pickup tube
39	3853471	2	Screw, Pickup tube
40	3853032	2	Screw, Pump to block
41	3853104	1	Oil strainer, Oil pump
42	3853033	18	Screw, Oil pan
43	3853107	1	Reinforcement, Oil pan, port