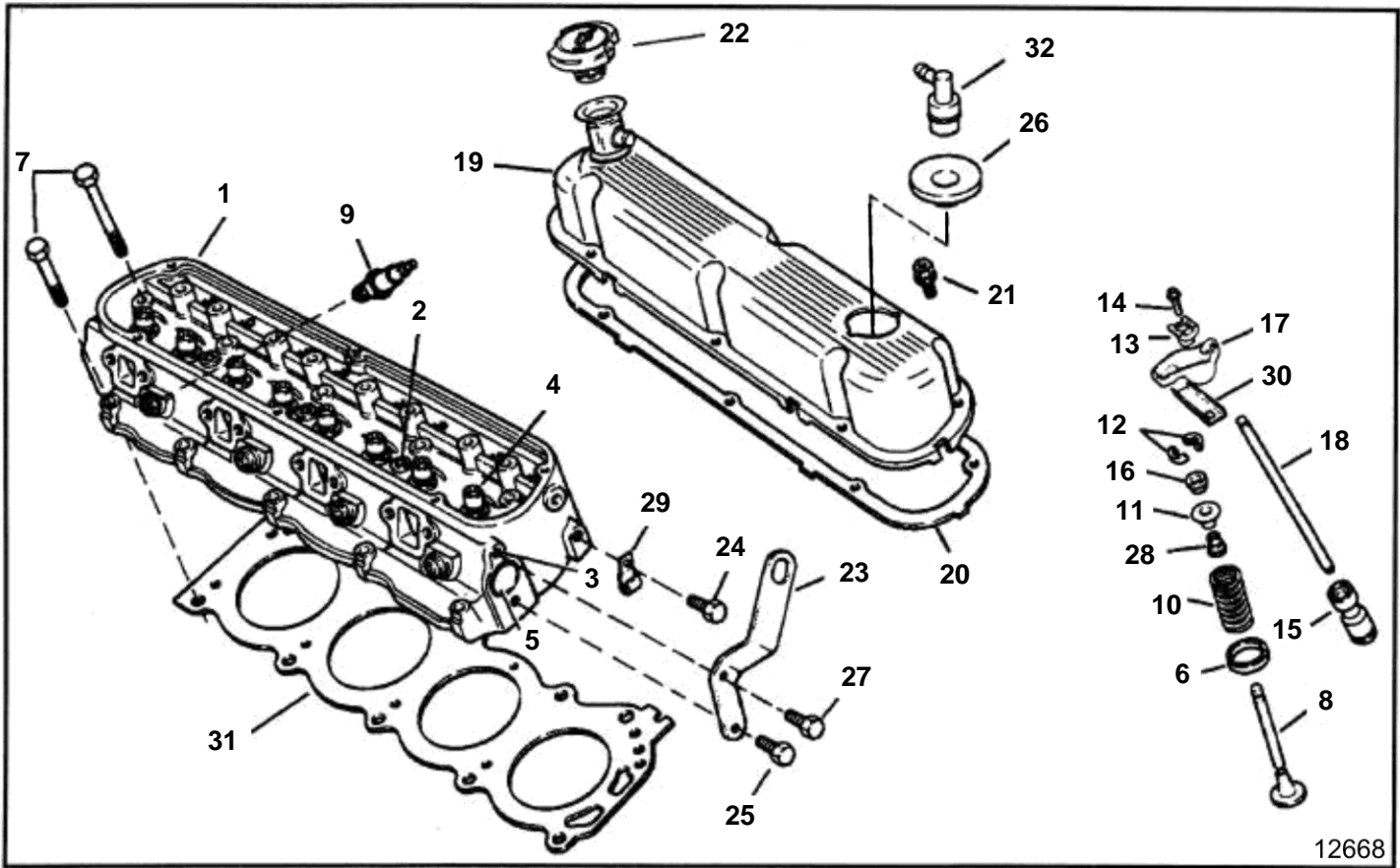


5.8FLIHUB, 5.8FLIHUE, 5.8FLPHUB, 5.8FLPHUC, 5.8FLPHUE, 5.8FLPHUR, 5.8FLPHUS



5.8FLIHUB, 5.8FLIHUE, 5.8FLPHUB, 5.8FLPHUC, 5.8FLPHUE, 5.8FLPHUR, 5.8FLPHUS

REF	PART NO.	QTY	DESCRIPTION	NOTES
1	3853894	2	Head	
2	3853015	3	· Cap plug, Core hole	
3	3853016	2	· Insert, Thermactor hole	
4	3853017	8	· Bushing, Valve guide	
5		2	· Cap plug, Core hole	
6		8	· Insert, Exhaust valve seat	
7	3852769	10	Bolt, Cylinder head, 4 in	
	3852770	10	Bolt, Cylinder head, short	
8		8	Valve, Exhaust, standard	
	3852808	8	Valve, Intake, standard	
		1	Valve, Exhaust, 0.015 in. OS	
		1	Valve, Intake, 0.015 in. OS	
		1	Valve, Intake, 0.030 in. OS	
9	3851861	2	Spark plug kit	
	3851864	2	Spark plug kit	replaced by 3851861
10	3852809	8	Spring, Valve, exhaust	
	3852810	8	Spring, Valve, intake	
11		8	Retainer, Valve spring, intake	
	3852811	8	Retainer, Spring, exhaust	
12	3852672	32	Valve cotter, Valve spring retainer	
13	3852671	16	Spring seat, Valve rocker arm fulcrum	
14		16	Bolt, Rocker arm	
15	3853847	16	Tappet	
16	3852813	8	Sleeve, Valve, spring retainer, intake	
17	3852815	16	Arm	
18		16	Push rod, Standard	
19	3853906	1	Valve cover	Starboard
	3853907	1	Valve cover	Port
20		2	Gasket, Valve cover	
21	3853037	12	Screw, Valve cover	
22	3852707	1	Oil filler cap, Oil fill	
23	3852705	1	Bracket, Front, starboard	
	3852705	1	Bracket, Rear, port	
24	3853419	1	Screw, Clamp, stbd cylinder head, front	
25	3853557	2	Screw, Lift bracket to lower engine	
26	3852821	1	Grommet, PCV valve	
27	3853389	2	Screw, Lift bracket to upper engine	Front & rear
28	3852670	8	Valve stem seal, Valve stem, intake, standard	
		1	Valve stem seal, Exhaust, 0.015 in. OS	
		1	Valve stem seal, Intake, 0.015 in. OS	
		1	Valve stem seal, Intake, 0.030 in. OS	
29	3852146	1	Clamp, Oil press sender lead to cyl head	Front
30	3852819	8	Guide, Rocker arm fulcrum	
31	3853732	2	Cylinder head gasket	
32		1	Valve, PCV	