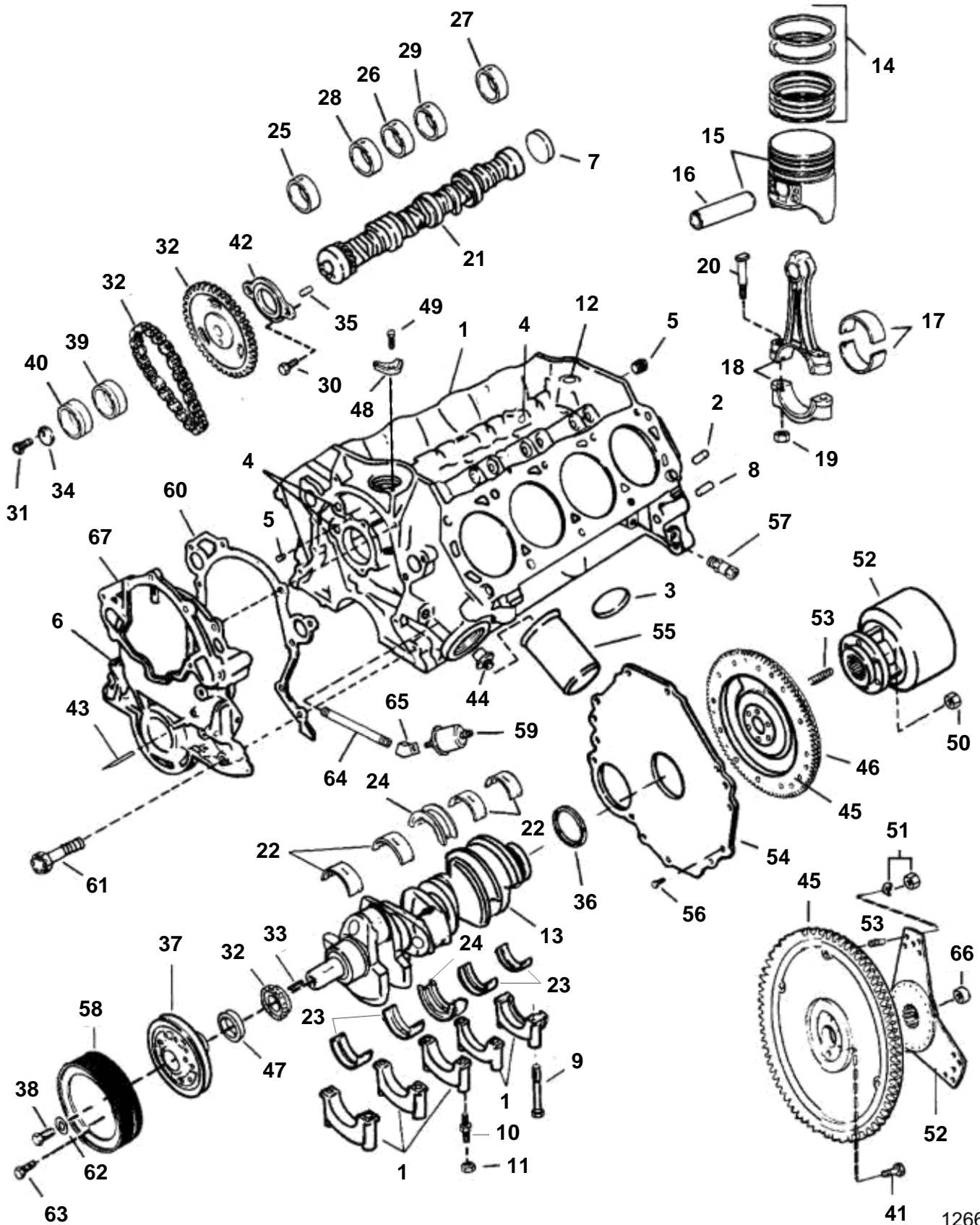


5.8FLIHUE, 5.8FLPHUC, 5.8FLPHUE, 5.8FLPHUR



12663

## 5.8FLIHUE, 5.8FLPHUC, 5.8FLPHUE, 5.8FLPHUR

| REF | PART NO. | QTY | DESCRIPTION  | SEE SEC.    | NOTES                                  |
|-----|----------|-----|--|-------------|--|
| 1   | 3855165  | 1   | Longblock<br>· Bulletin P-21-0-7                       | P-21-0-7-EN | Longblock guidelines, 5.0L, 5.8L, Ford |
| 2   | 3853007  | 4   | Guide sleeve, Cylinder head to block                   |             |  |
| 3   |          | 6   | Cap plug, Core hole                                    |             |  |
| 4   | 3853008  | 2   | Cap plug, Oil passage                                  |             |  |
| 5   |          | 6   | Plug, Oil gallery                                      |             |  |
| 6   | 3853008  | 2   | Cap plug, Indicator hole                               |             |  |
| 7   |          | 1   | Cap plug, Rear, cam, standard                          |             |  |
|     | 3853009  | 1   | Cap plug, Rear cam, 0.060 in. OS                       |             |  |
| 8   |          | 1   | Locating pin, Adapter hsg to block                     |             |  |
| 9   |          | 9   | Bolt, Main bearing cap                                 |             |  |
| 10  |          | 1   | Stud, Main bearing cap                                 |             |  |
| 11  | 3853026  | 1   | Nut, Main bearing cap                                  |             |  |
| 12  |          | 1   | Cap plug, Rear hole in block                           |             |  |
| 13  | 3852793  | 1   | Crankshaft, 235 model                                  |             |  |
| 14  | 3853268  | 4   | Piston ring kit, Standard                              |             | Contains Rings for 2 Pistons           |
|     | 3853269  | 1   | Piston ring kit, 0.020 in. OS                          |             | Contains Rings for 2 Pistons           |
|     |          | 1   | Piston ring kit, 0.030 in. OS                          |             | Contains Rings for 2 Pistons           |
|     |          | 1   | Piston ring kit, 0.040 in. OS                          |             | Contains Rings for 2 Pistons           |
| 15  | 3853898  | 1   | Piston, Standard, red                                  |             |  |
|     | 3853949  | 1   | Piston, 0.020 in. OS                                   |             |  |
|     |          | 1   | Piston, 0.030 in. OS                                   |             |  |
|     |          | 1   | Piston, 0.040 in. OS                                   |             |  |
| 16  | 3852773  | 8   | Piston pin, Piston, standard                           |             |  |
| 17  |          | 16  | Bearing, Connecting rod, standard                      |             |  |
|     | 3853081  | 1   | Bearing, Connecting rod, 0.010 in. US                  |             |  |
|     |          | 1   | Bearing, Connecting rod, 0.020 in. US                  |             |  |
|     |          | 1   | Bearing, Connecting rod, 0.030 in. US                  |             |  |
| 18  | 3853902  | 8   | Connecting rod   |             |  |
| 19  | 3852675  | 16  | Nut, Connecting rod                                    |             |  |
| 20  |          | 16  | Bolt, Connecting rod                                   |             |  |
| 21  |          | 1   | Camshaft   |             |  |
| 22  |          | 8   | Bearing, Main, standard, upper<br>· Bulletin P-21-6-1  | P-21-6-1-EN | Main Bearing Kits, 5.0 and 5.8L Ford   |
| 22  |          | 1   | Bearing, Main, 0.010 in. US, upper                     |             |  |
|     |          | 1   | Bearing, Main, 0.020 in. US, upper                     |             |  |
|     |          | 1   | Bearing, Main, 0.030 in. US, upper                     |             |  |
| 23  |          | 8   | Bearing, Main, standard, lower<br>· Bulletin P-21-6-1  | P-21-6-1-EN | Main Bearing Kits, 5.0 and 5.8L Ford   |
| 23  |          | 1   | Bearing, Main, 0.020 in. US, lower                     |             |  |
|     |          | 1   | Bearing, Main, 0.030 in. US, lower                     |             |  |
|     |          | 1   | Bearing, Main, 0.10 US, lower                          |             |  |
| 24  |          | 2   | Bearing, Main, center, standard<br>· Bulletin P-21-6-1 | P-21-6-1-EN | Main Bearing Kits, 5.0 and 5.8L Ford   |
| 24  |          | 1   | Bearing, Main, center, 0.010 in. US                    |             |  |
|     |          | 1   | Bearing, Main, center, 0.020 in. US                    |             |  |
|     |          | 1   | Bearing, Main, center, 0.030 in. US                    |             |  |
| 25  |          | 1   | Bearing, Camshaft, front                               |             |  |
|     |          | 1   | Bearing, Front, 0.015 in. US                           |             |  |
| 26  | 3852781  | 1   | Bearing, Camshaft, center                              |             |  |
|     |          | 1   | Bearing, Center, 0.015 in. US                          |             |  |
| 27  | 3852782  | 1   | Bearing, Camshaft, rear                                |             |  |
|     | 3853020  | 1   | Bearing, Rear, 0.015 in. US                            |             |  |
| 28  | 3852783  | 1   | Bearing, Camshaft                                      |             |  |
|     |          | 1   | Bearing, Front intermediate, 0.015 in. US              |             |  |
| 29  |          | 1   | Bearing, 0.015 in. US                                  |             |  |
|     | 3852784  | 1   | Bearing, Camshaft, rear intermediate                   |             |  |
| 30  | 3852788  | 2   | Bolt, Camshaft, thrust plate                           |             |  |
| 31  |          | 1   | Bolt, Camshaft sprocket                                |             |  |
| 32  | 3856741  | 1   | Chain, set   |             | double roller                          |
|     | 3852794  | 1   | · Sprocket, crankshaft                                 |             | not sold separately                    |
|     | 3852785  | 1   | · Sprocket, camshaft                                   |             | not sold separately                    |
|     | 3853903  | 1   | · Chain  |             | not sold separately                    |

## 5.8FLIHUE, 5.8FLPHUC, 5.8FLPHUE, 5.8FLPHUR

| REF | PART NO. | QTY | DESCRIPTION                                 | SEE SEC. | NOTES    |
|-----|----------|-----|---|----------|----------|
| 33  |          | 1   | Woodruff key, Sprocket to crankshaft        |          |          |
| 34  | 3852790  | 1   | Washer, Camshaft sprocket                   |          |          |
| 35  | 3852786  | 1   | Locating pin, Camshaft sprocket             |          |          |
| 36  | 3852806  | 1   | Sealing, Crankshaft, rear                   |          |          |
| 37  |          | 1   | Vibration damper, Crankshaft                |          | 4 holes  |
| 38  | 3853021  | 1   | Bolt, Crankshaft damper                     |          |          |
| 39  |          | 1   | Eccentric, Fuel pump, outer                 |          |          |
| 40  | 3852789  | 1   | Guide, Fuel pump, inner                     |          |          |
| 41  | 3855532  | 6   | Screw                                       |          |          |
| 42  | 3852787  | 1   | Plate, Camshaft thrust, standard            |          |          |
|     |          | 1   | Plate, 0.002 in. OS, camshaft thrust        |          |          |
|     |          | 1   | Plate, 0.004 in. OS, camshaft thrust        |          |          |
| 43  | 3852768  | 1   | Turn signal, timing                         |          |          |
| 44  | 3853035  | 1   | Insert, Oil filter                          |          |          |
| 45  |          | 1   | Flywheel                                    |          |          |
| 46  |          | 1   | Gear ring, Flywheel                         |          |          |
| 47  | 3853827  | 1   | Sealing, Front cover                        |          |          |
| 48  | 3853078  | 1   | Clamp, Distributor                          |          |          |
| 49  | 3853077  | 1   | Screw, Clamp                                |          |          |
| 50  | 3853273  | 6   | Nut, Flywheel & coupler to crankshaft       |          | SX, DP-S |
| 51  | 3854497  | 6   | Lock nut, Dampener to flywheel              |          | 290 DP   |
|     | 3854496  | 6   | Washer, Dampener to flywheel                |          | 290 DP   |
| 52  | 3853862  | 1   | Clutch, Flywheel                            |          | SX, DP-S |
|     |          | 1   | Oscillation damper, Flywheel                |          | 290 DP   |
| 53  | 3853274  | 6   | Stud, Flywheel & coupler to crankshaft      |          | SX, DP-S |
|     |          | 6   | Stud, Dampener to flywheel                  |          | 290 DP   |
| 54  | 3853003  | 1   | Cardboard tube                              |          |          |
| 55  | 835779   | 1   | Oil   |          |          |
| 56  | 3852421  | 5   | Screw, Flywheel cover to hsg                |          |          |
| 57  | 3854494  | 2   | Drain cock, Engine water drain              |          |          |
| 58  |          | 1   | V-belt pulley, Crankshaft                   |          | 4 holes  |
| 59  | 3853800  | 1   | Oil pressure sensor, Oil pressure           |          |          |
|     | 872064   | 1   | Pressure sensor, Oil pressure, dual station |          |          |
| 60  | 3852767  | 1   | Gasket, Front cover                         |          |          |
| 61  |          | 1   | Bolt, Front cover                           |          |          |
|     |          | 1   | Bolt, Front cover                           |          |          |
|     |          | 1   | Bolt, Front cover                           |          |          |
|     | 3853014  | 1   | Bolt, Front cover                           |          |          |
| 62  | 3853075  | 1   | Washer, Crankshaft damper                   |          |          |
| 63  | 3853557  | 4   | Screw, Pulley to crankshaft                 |          |          |
| 64  | 3852712  | 1   | Nipple, Oil pressure sending unit           |          |          |
| 65  | 3852711  | 1   | Fitting, Oil pressure sending unit          |          |          |
| 66  | 3850412  | 1   | Bushing, Pilot, Crankshaft                  |          | DP       |
| 67  | 3853893  | 1   | Timing gear casing                          |          |          |